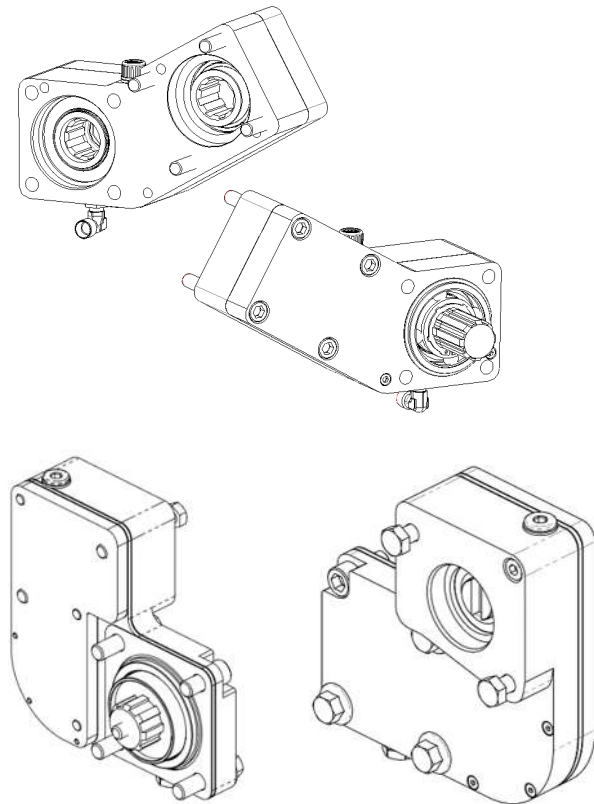


DUAL OUTPUT ADAPTOR & RELOCATING ADAPTOR

for engine PTO on Volvo Trucks D11 & D13 engines



DESCRIPTION

The **dual output adaptor** conceived and designed by System Truck engineering allows to split the output of the engine PTO (Power Take Off) on Volvo Trucks D11 (11l) and D13 (13l) engines.

The primary output – available for the bodybuilder – allows direct connection to the PTO. Its interface is the exact duplicate of the PTO interface (PTER-DIN); thus allowing direct installation of all accessory users normally compatible with the Volvo Trucks engine PTO. Max transmittable torque is 1000 Nm, being in any case limited by the max torque available on the PTO.

The secondary output has a splined profile, DIN 5462 8x32x36 and a maximum transmittable torque of 60 Nm. It facilitates the installation or relocation of the pump of the original Volvo Trucks steering system (or other user accessories). This output has the same direction of rotation as the PTO and a transmission ratio of 1:1. It is also available with a coupling for the connection of a vane pump (8mm Oldham joint).

For the primary output, flange adapters – type PTER1400 (SAE 1400) or PTER-100 (ISO 7646) –with different transmittable torques are available, which can be connected to a cardan shaft (prop-shaft).

The **relocating adaptor** allows installation of the steering system pump in a position decentralised with respect to the engine PTO on Volvo Trucks D11 and D13 engines, thus making installation of the pump compatible with the presence of a flywheel PTO (PTO-HT16 e PTO-HT20).

TECHNICAL NOTES

Systems designed and assembled by System Truck, supplied as kits. Installation can be completed directly by the bodybuilder following instructions provided by System Truck.

For any further information and to ask for custom designed solutions to meet your specific needs, please don't hesitate to contact our Technical Sales Department: T +39 (0)376 1590804 commerciale@st-truck.com