

S.T. SYSTEM TRUCK S.p.A.

Trasformazioni e Soluzioni per Veicoli Industriali

I - 46048 Roverbella (MN) - via Paesa, 28
Tel. +39 0376 696809 - Fax +39 0376 1760180
P.I. 03117430235 - C.F. 02209770797
e-mail: info@stsystemtruck.com
web: www.stsystemtruck.com



Spare parts Catalogue

IVECO ML210E../P E 220E../P with 3rd axle original Iveco

Version 8.0

S.T. SYSTEM TRUCK S.p.A.



S.T. SYSTEM TRUCK S.p.A.

Trasformazioni e Soluzioni per Veicoli Industriali

I - 46048 Roverbella (MN) - via Paesa, 28
Tel. +39 0376 696809 - Fax +39 0376 1760180
P.I. 03117430235 - C.F. 02209770797
e-mail: info@stsystemtruck.com
web: www.stsystemtruck.com



Note

WHEN PLACING ORDERS FOR SPARE PARTS PLEASE HAVE THE FOLLOWING INFORMATION AVAILABLE:

- VEHICLE CHASSIS NUMBER,
- ASSEMBLY DRAWING NUMBER,
- ITEM NUMBER OR PART NUMBER.

Contents

Page

ADDED COMPONENT FOR AXLE 7187036.....	4
SUSPENSION.....	5
OIL CYLINDER (WITH AIR CENTRING).....	6
HYDRAULIC FITTINGS FOR OIL CYLINDER.....	7
OIL CYLINDER SEAL REPAIR KIT.....	7
HYDRAULIC PUMP ASSEMBLY.....	8
HYDRAULIC PUMP SUPPORT.....	9
BY PASS VALVE WITH THERMOSTAT ASSEMBLY.....	10
SUPPORT AND HYDRAULIC FITTINGS FOR BY PASS VALVE.....	11
OIL TANK GROUP.....	12
DISTRIBUTOR ASSEMBLY.....	13
HYDRAULIC FITTINGS FOR DISTRIBUTOR.....	14
COMMAND CABLE GROUP.....	15
DISTRIBUTOR STEERING ROD GROUP.....	16
AIR TANKS SUSPENSION GROUP.....	17
HYDRAULIC PIPE 3/8" M18X1,5 DIR. – M16X1,5 90° WITH FITTINGS.....	18
HYDRAULIC PIPE 3/8" M18X1,5 DIR. – M18X1,5 DIR. WITH FITTINGS.....	19
BRAKE CHAMBER PIPES.....	21
BRAKE CHAMBER 20".....	21
ELECTRO-VALVE N.C.....	22
ELECTRO-VALVE N.O.....	22
PNEUMATIC VALVE.....	23
RELAY VALVE SUPPORT.....	23
VALVE SUPPORT.....	24
VALVE SUPPORT.....	24
VALVE CUTTING (2:1).....	25
PRESSURE TAKE-OFF.....	25
RELAY VALVE.....	26
VALVE (LIMITED PRESSURE 6 BAR).....	26
"OR" VALVE.....	27

S.T. SYSTEM TRUCK S.p.A.

Trasformazioni e Soluzioni per Veicoli Industriali

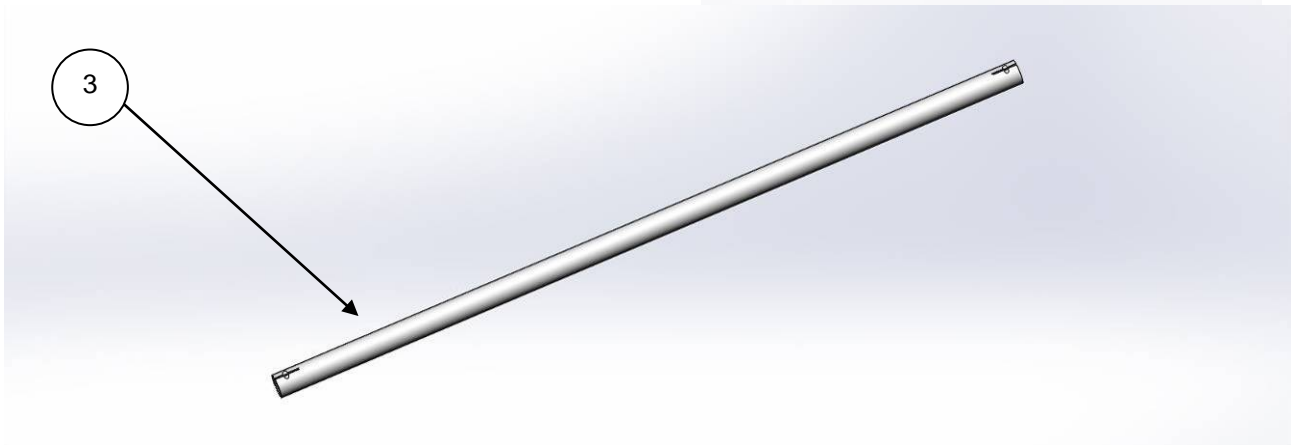
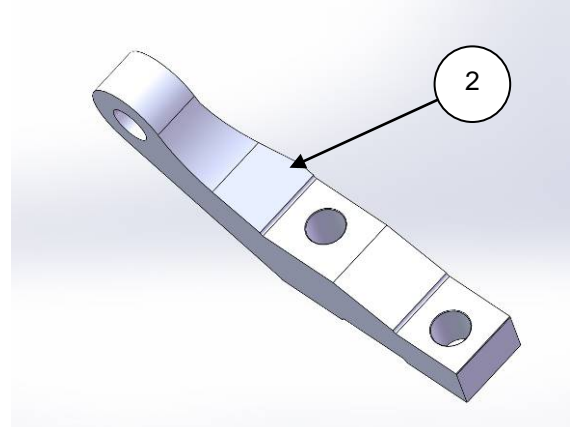
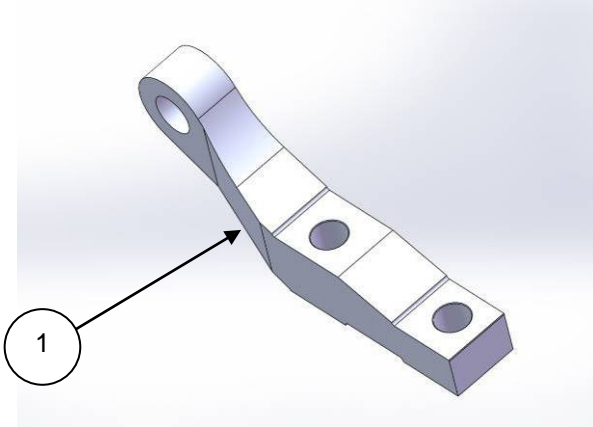
I - 46048 Roverbella (MN) - via Paesa, 28
Tel. +39 0376 696809 - Fax +39 0376 1760180
P.I. 03117430235 - C.F. 02209770797
e-mail: info@stsystemtruck.com
web: www.stsystemtruck.com



"AND" VALVE	27
PRESSURE SWITCH N.O. (8,5 BAR).....	28
PRESSURE SWITCH N.C. (6,5 BAR).....	28
ELECTRICAL SUPPLY CABLE (IN CABIN)	29
ELECTRICAL SUPPLY CABLE FOR BRAKE WEAR	29
WIRED CABLE FROM CABIN TO CHASSIS.....	30
PROXIMITY SENSOR WITH WIRED CABLE.....	30
ELECTRICAL SUPPLY CABLE FOR LED.....	31
ELECTRICAL SUPPLY CABLE FOR LOW OIL LEVEL.....	31
ELECTRICAL SUPPLY CABLE FOR BY-PASS VALVE AND THERMAL SWITCH.....	32
ELECTRICAL CAB COMPONENTS	33
TIMING TABLE FOR MORE COMMON PARTS REPLACEMENT / OPERATIONS.....	34
CONTACT US.....	35



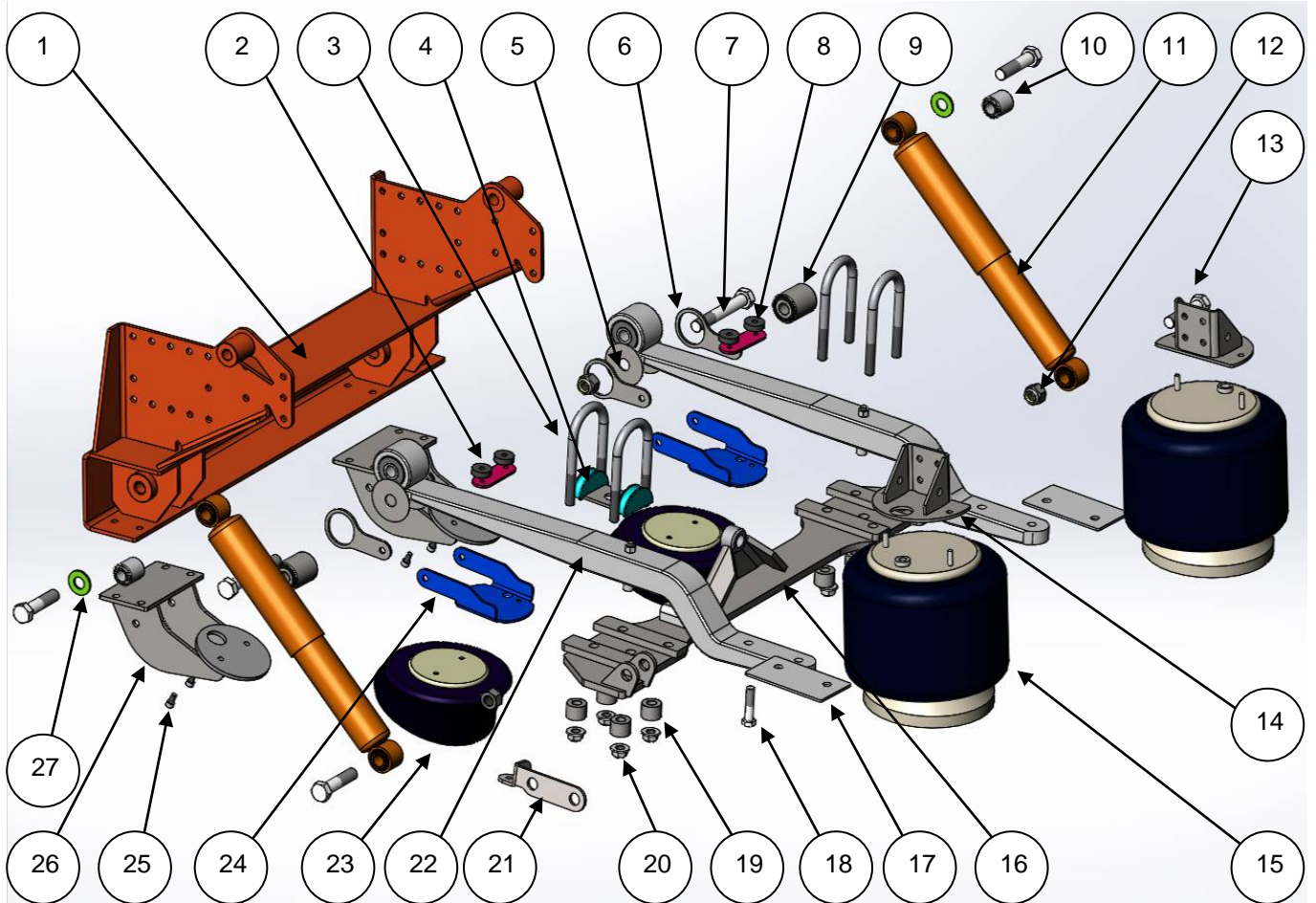
ADDED COMPONENT FOR AXLE 7187036



Pos.	Code	Description	QTY
1	20.03.01.0051	LEFT AXLE STEERING LEVER	1
2	20.03.01.0052	RIGHT AXLE STEERING LEVER	1
3	20.03.01.0053	BAR	1



SUSPENSION



Pos.	Code	Description	QTY
1	10.07.00.0210	SUSPENSION SUPPORT	1
	10.07.00.0186	SUSPENSION SUPPORT	1 (+)
2	10.23.15.0066	LIFT DEVICE SUPPORT	2
3	10.18.00.0008	U-BOLT	4
4	10.07.05.0031	U-BOLT SUPPORT	2
5	10459004	SPRING EYE WASHER SET	4
6	10.23.10.0008	AXLE LIFT SIDE SUPPORT STRIP	2
7	222000240160	BOLT TE 8.8 M24X2X160 ZINC	2
8	05906000	RUBBER WASHER Ø40/10 H10	4
9	05710027	SPRING SILENTBLOCK	2
10	05710020	SHOCK ABSORBER SILENTBLOCK	4
11	05102005	SHOCK ABSORBER	2
12	52000240000	NUT CL. 8 982 M24X2	4
13	222000240100	NUT TE 8.8 M24X2X100 ZINC	4
14	10.07.00.0187	AIR BAG UPPER SUPPORT	2
15	05101002	SUSPENSION AIR BAG	2
16	10.07.05.0030	SPRING PLATE	1

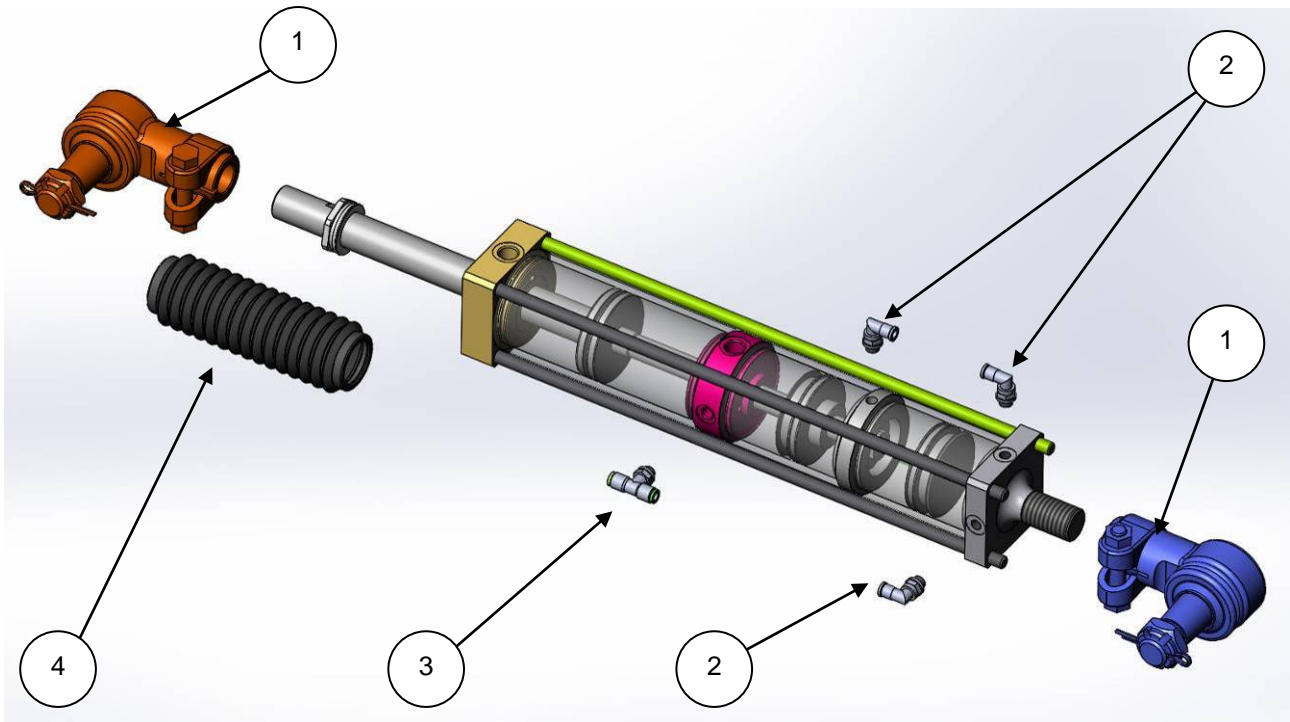




Pos.	Code	Description	QTY
17	01.01.00.0465	AIR BAG SPACER PLATE	2
18	222000160070	NUT TE 8.8 M16X1.5X70 ZINC	2
19	10.17.05.0004	SPACER Ø40 Ø19 H30	8
20	06230018015	NUT CL. 10 M18X1,5 ZINC	8
21	01.01.00.0435	LEVER FOR STEERING ROD	1
22	10.10.00.0007	SPRING	2
23	05101010	AIR BAG FOR AXLE LIFT	2
24	10.23.10.0031	AXLE LIFT AIR BAG UPPER SUPPORT PLATE	2
25	200100100020	NUT TCEI 8.8 M10X20 ZINC	4
26	10.23.10.0032	AXLE LIFT AIR BAG LOWER SUPPORT	2
27	206000250000	WASHER ØI=25X51X4 ZINC	2

(+): ONLY FOR VEHICLES WITH VIN NUMBER No. ZCFA61MF202616495 AND ZCFA61MM902626939.

OIL CYLINDER (WITH AIR CENTRING)

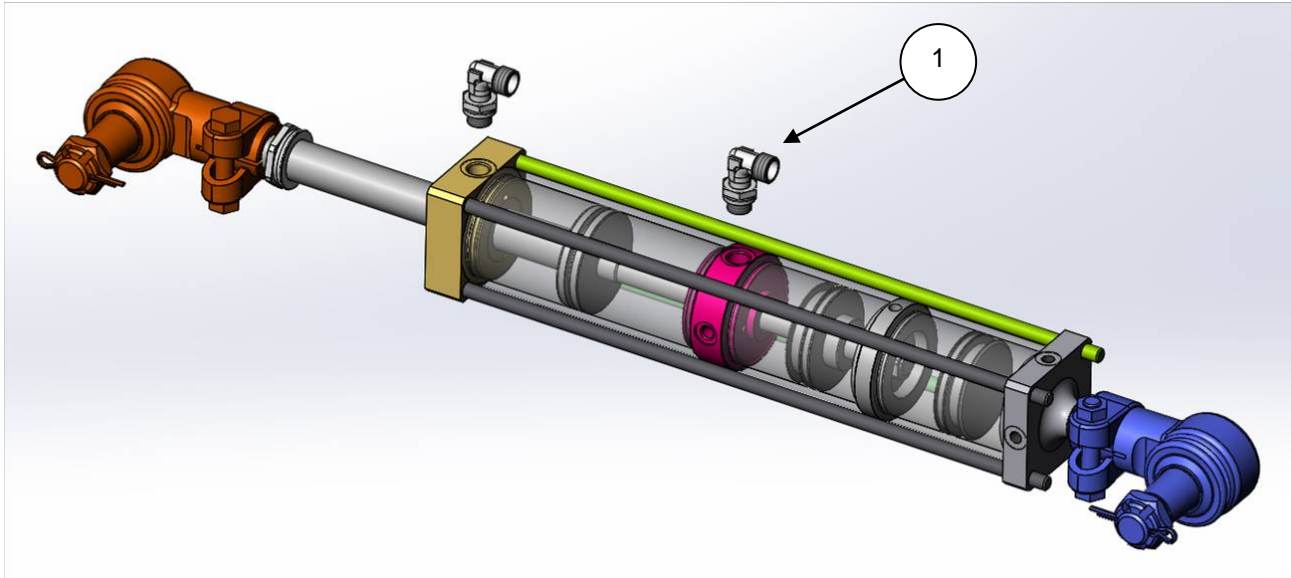


(CODE: 601267)

Pos.	Code	Description	QTY
1	801145	BALL JOINT A	2
2	05802014	FITTING	3
3	05802018	UNION "T" FITTING	1
4	901272	RUBBER GAITOR	1

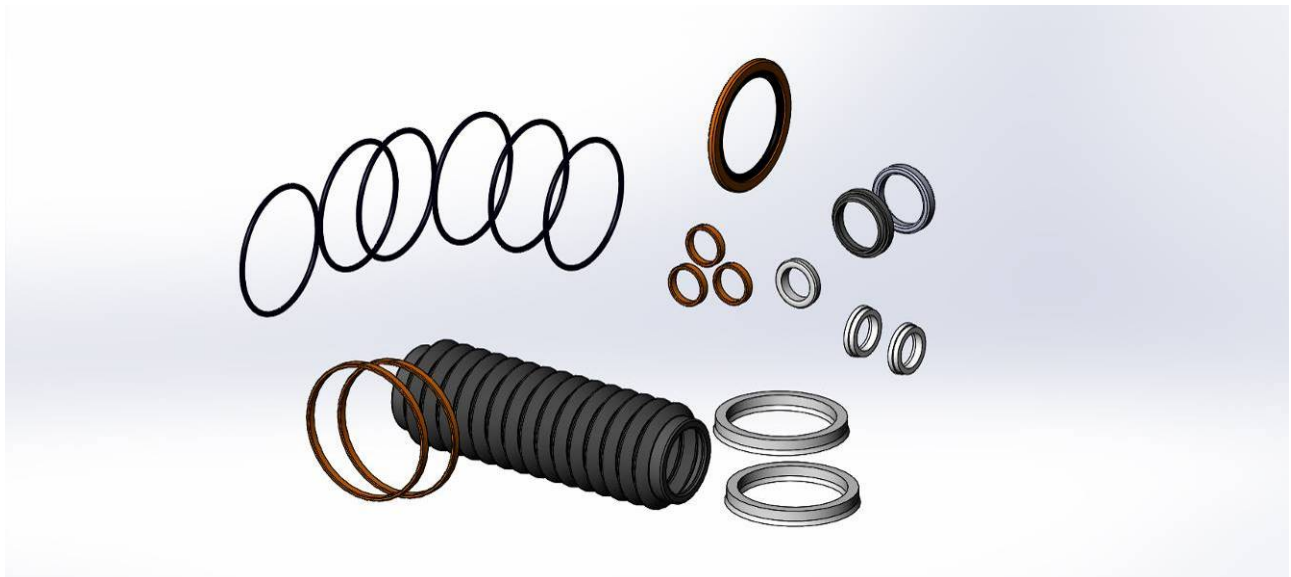


HYDRAULIC FITTINGS FOR OIL CYLINDER



Pos.	Code	Description	QTY
1	05850152	90° ELBOW FITTING M. M16X1,5 - M. M18X1,5	2

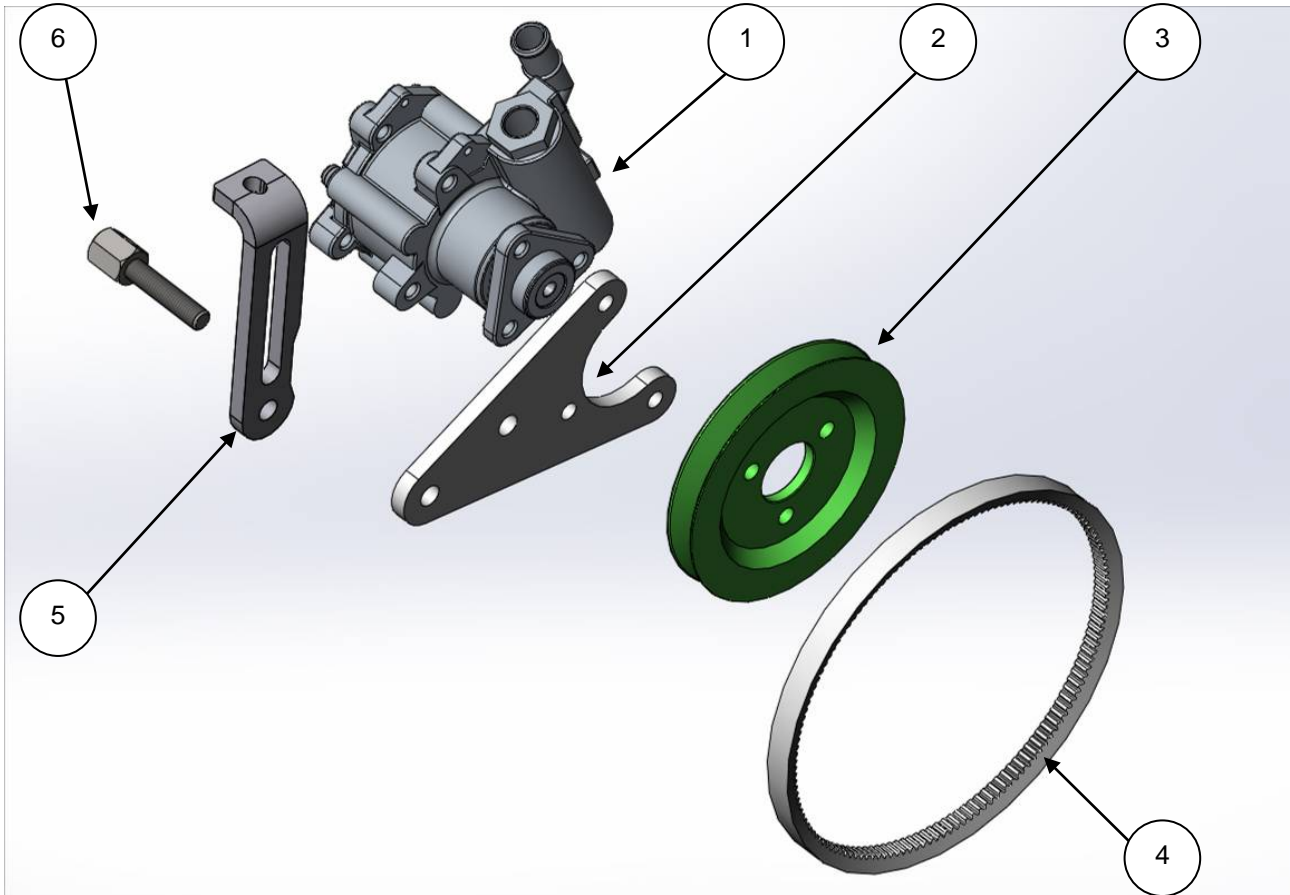
OIL CYLINDER SEAL REPAIR KIT



(CODE: 601267GUA)



HYDRAULIC PUMP ASSEMBLY



Pos.	Code	Description	QTY
1	901011	HYDRAULIC PUMP	1
2	45110001	PUMP SUPPORT	1
3	45113002	PULLEY	1
4	05207033	V-BELT	1
5	45112002	V-BELT REGISTER	1
6	45114001	REGISTER CLAMP	1

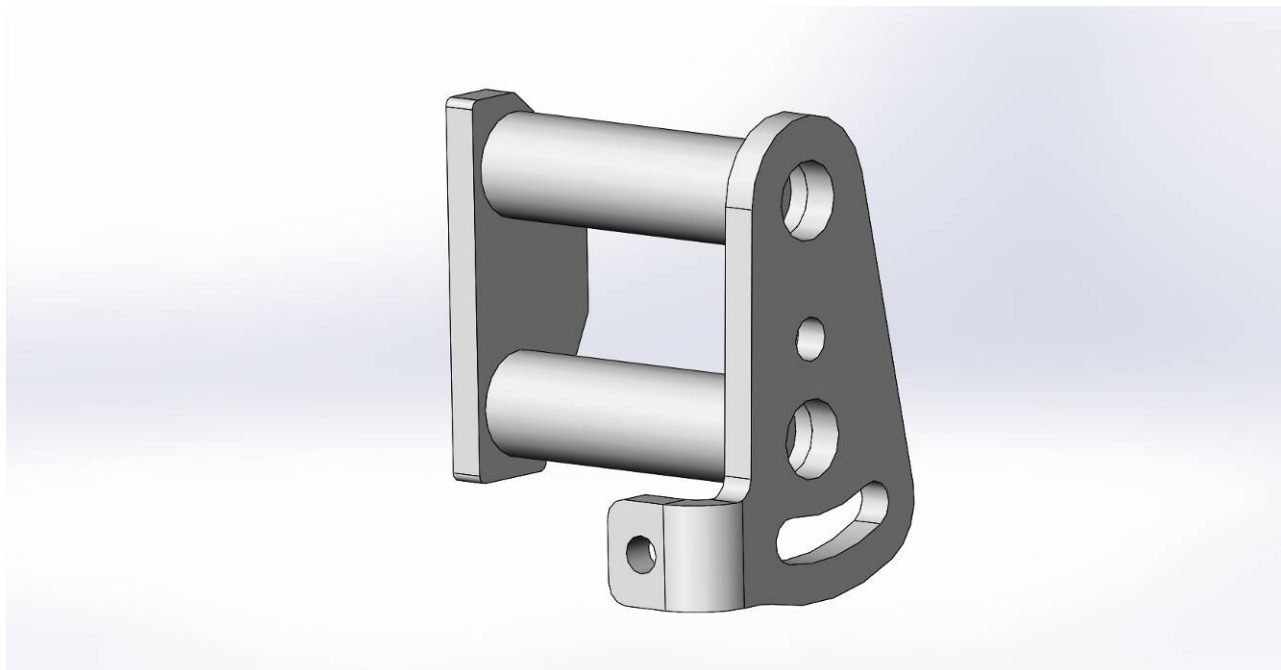
S.T. SYSTEM TRUCK S.p.A.

Trasformazioni e Soluzioni per Veicoli Industriali

I - 46048 Roverbella (MN) - via Paesa, 28
Tel. +39 0376 696809 - Fax +39 0376 1760180
P.I. 03117430235 - C.F. 02209770797
e-mail: info@stsystemtruck.com
web: www.stsystemtruck.com



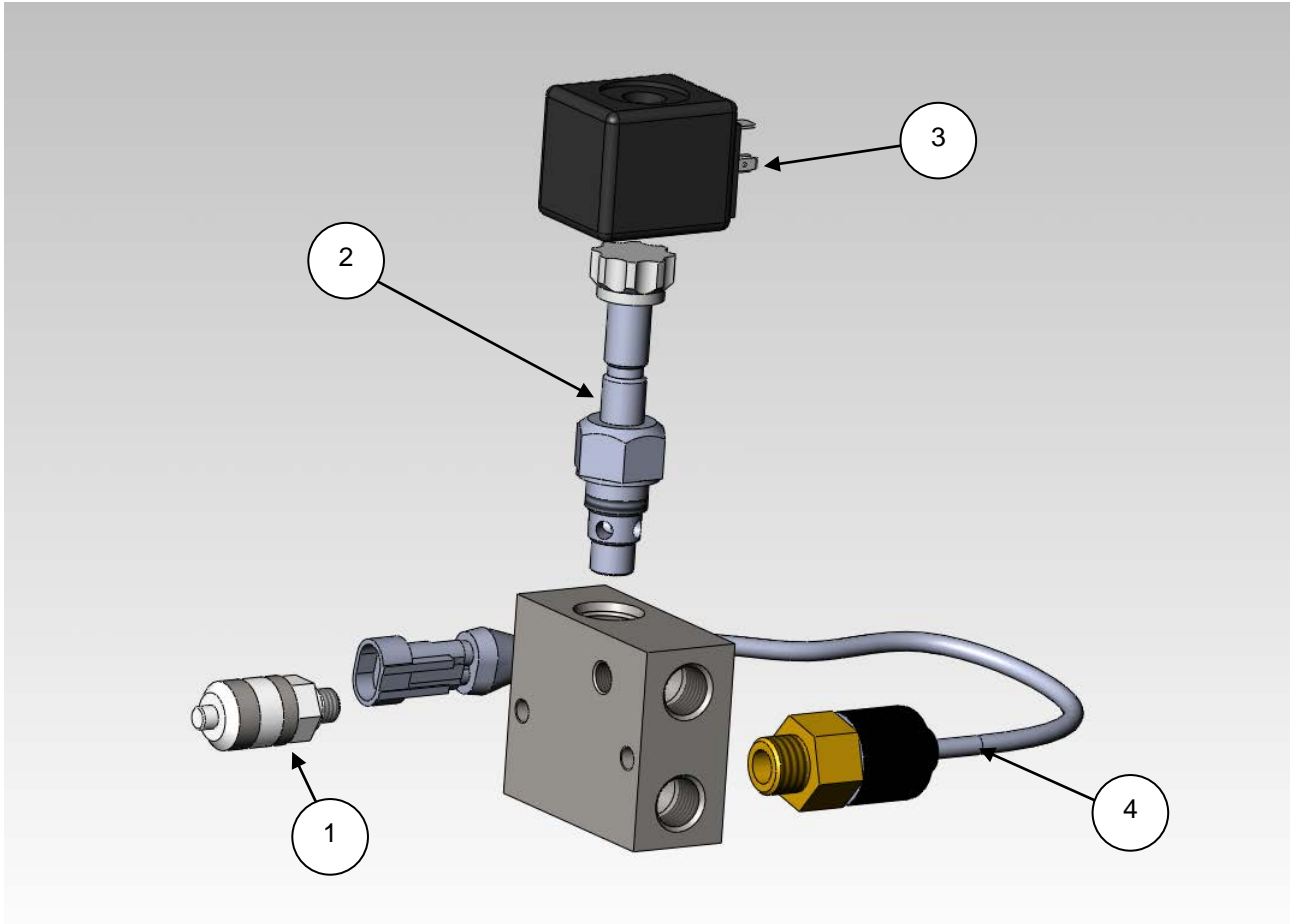
HYDRAULIC PUMP SUPPORT



(CODE: 45110053)



BY PASS VALVE WITH THERMOSTAT ASSEMBLY

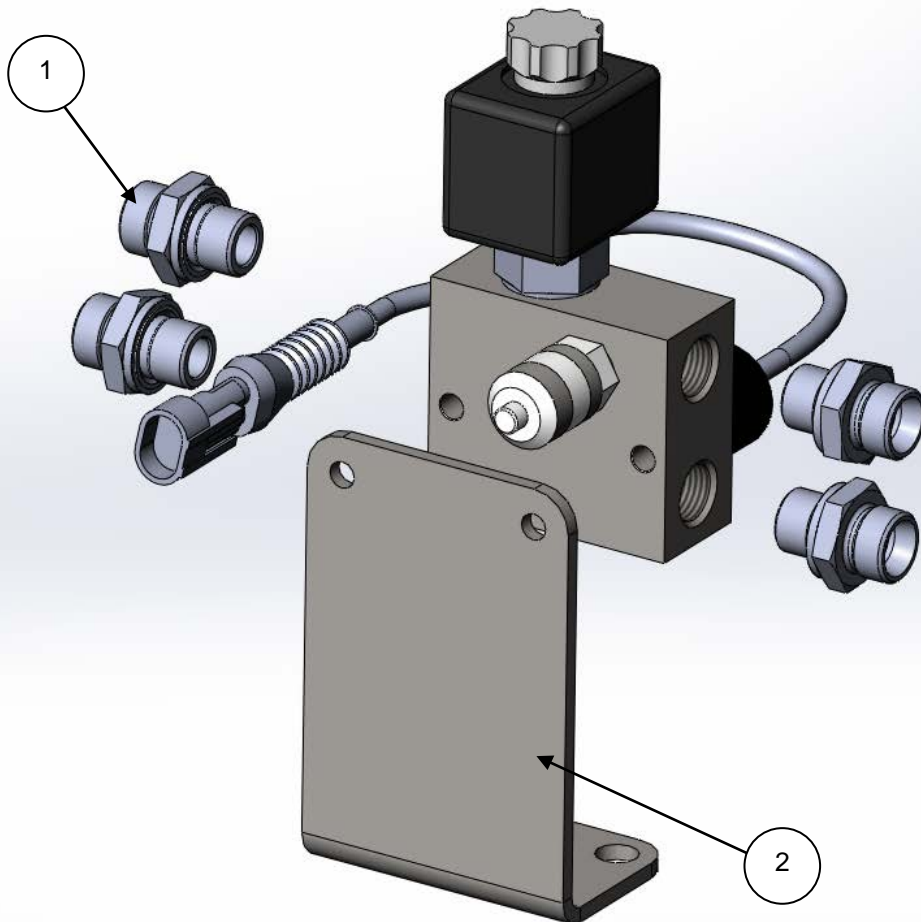


(CODE: 601576)

Pos.	Code	Description	QTY
1	05850990	PRESSURE TAKE-OFF	1
2	901110	BYPASS ELECTRO-VALVE	1
3	901183G	BY PASS SOLENOID	1
4	901585	BIMETALIC TEMPERATURE SWITCH - 90°	1



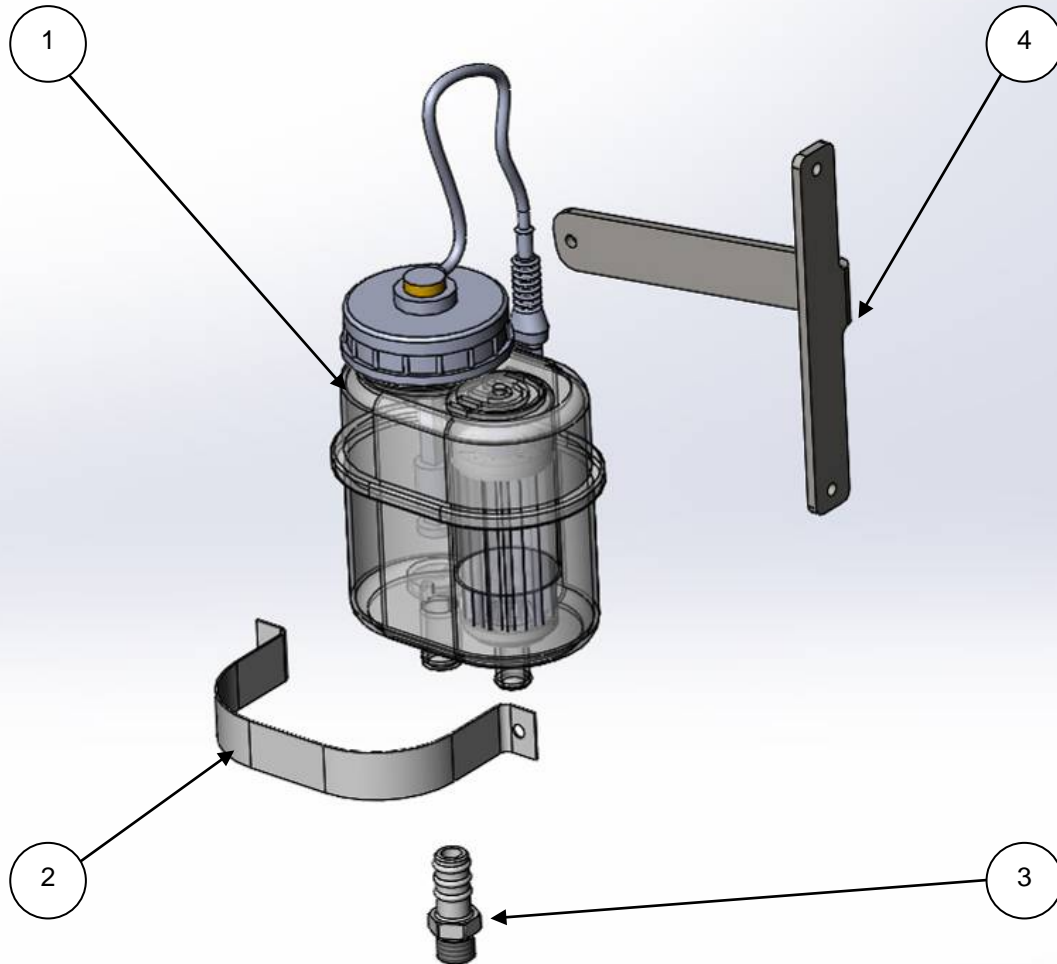
SUPPORT AND HYDRAULIC FITTINGS FOR BY PASS VALVE



Pos.	Code	Description	QTY
1	05850052	FITTING M. M16X1,5 – M. M18X1,5	4
2	45114501	SUPPORT	1



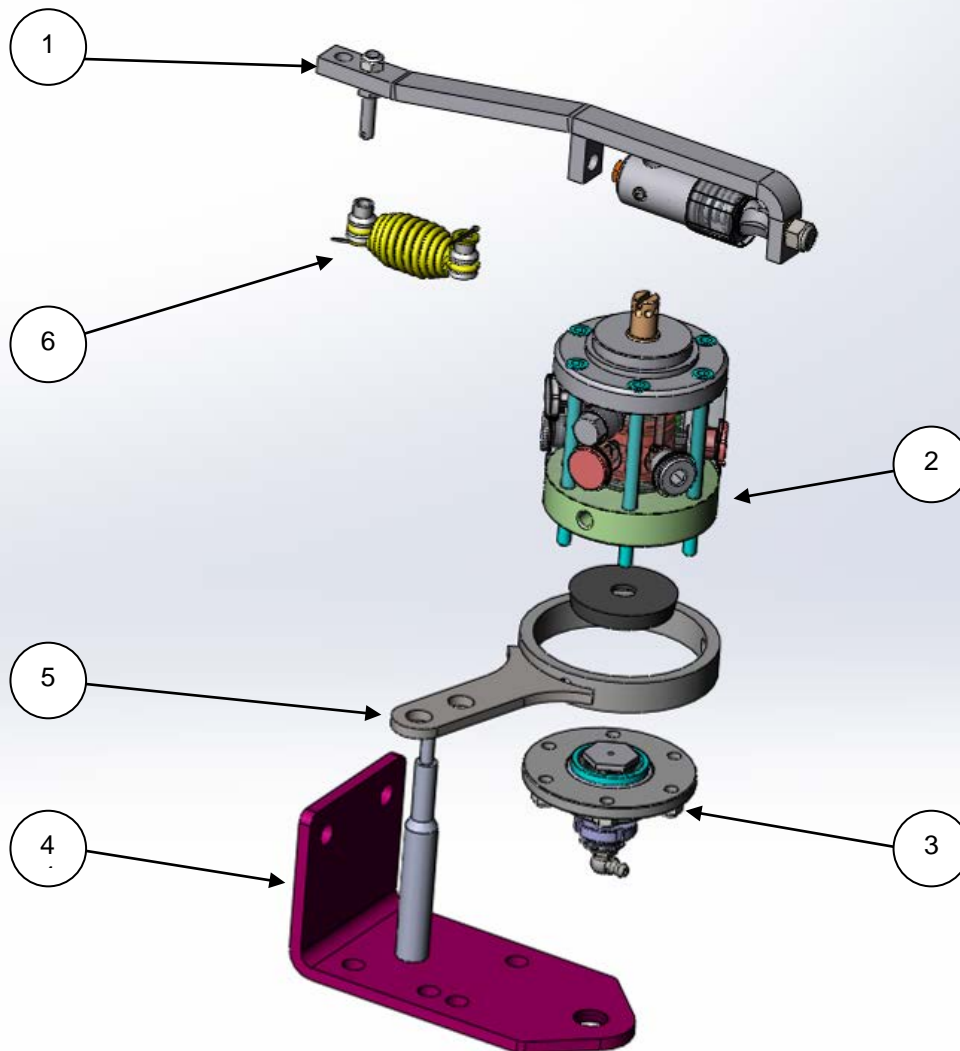
OIL TANK GROUP



Pos.	Code	Description	QTY
1	901193	OIL TANK WITH LEVEL DETECTION	1
2	801185	CLAMP FOR OIL TANK	1
3	05850011	PIPE FITTING 3/4" – M18X1,5	1
4	30.05.05.0017	OIL TANK SUPPORT (4 CYLINDER ENGINE)	1
	45111002	OIL TANK SUPPORT (6 CYLINDER ENGINE)	1



DISTRIBUTOR ASSEMBLY

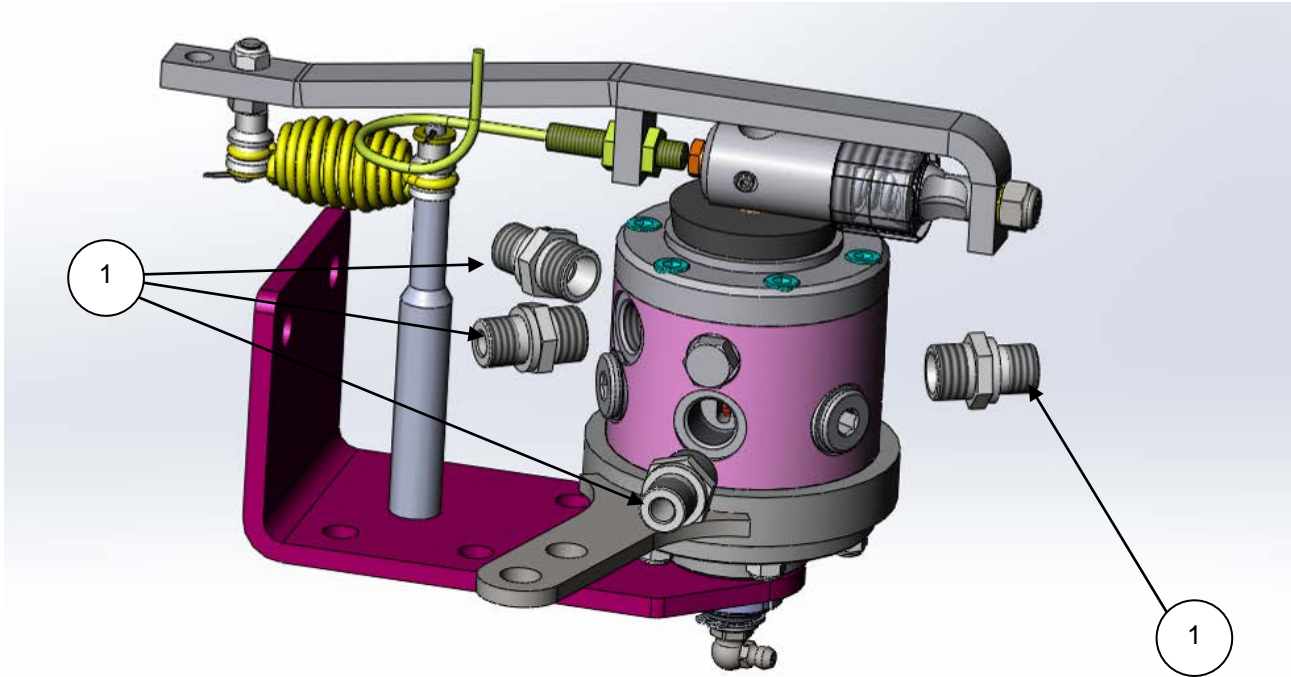


(CODE: 501569D)

Pos.	Code	Description	QTY
1	601087	DISTRIBUTOR LEVER SPRING ASSEMBLY	1
2	601081	DISTRIBUTOR (90 BAR)	1
3	601570	DISTRIBUTOR SUPPORT GROUP	1
4	701568	DISTRIBUTOR ROTATION BOLT SUPPORT	1
5	801611	DISTRIBUTOR LEVER	1
6	701338	DISTRIBUTOR SPRING GROUP	1



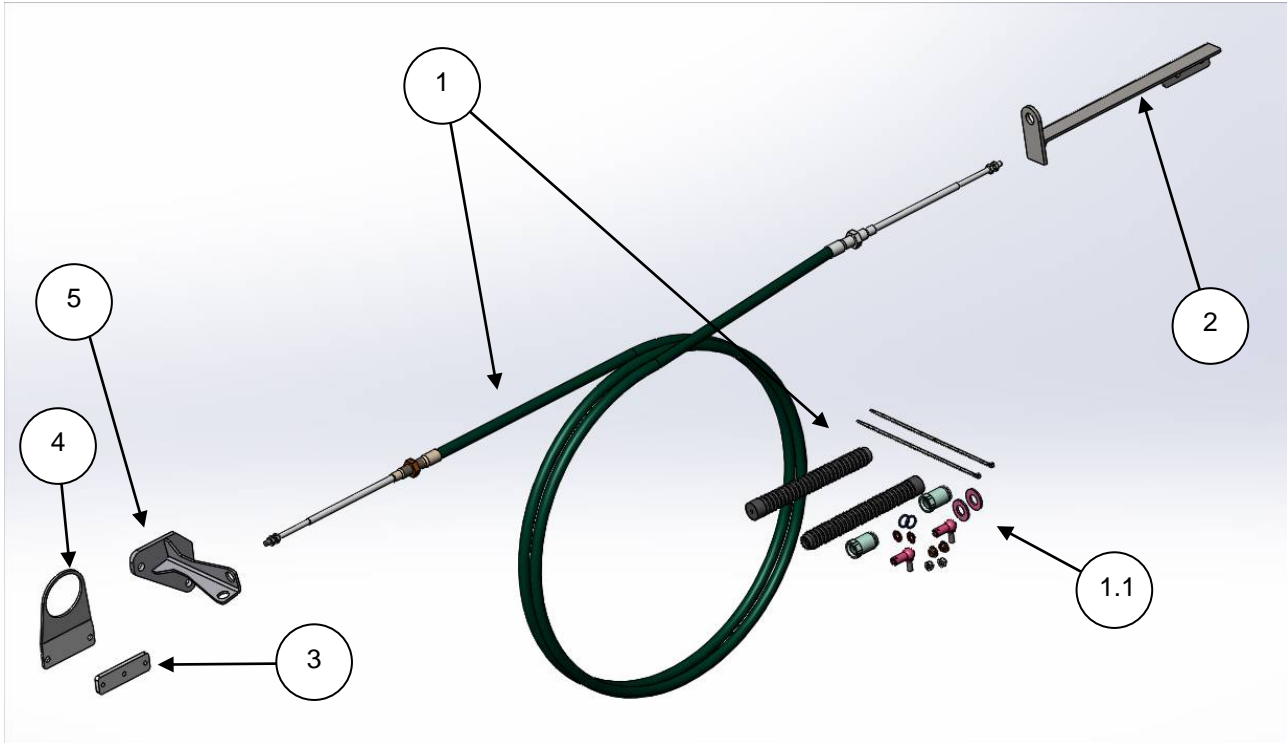
HYDRAULIC FITTINGS FOR DISTRIBUTOR



Pos.	Code	Description	QTY
1	05850050	FITTING M. M14X1,5 – M. M16X1,5	4



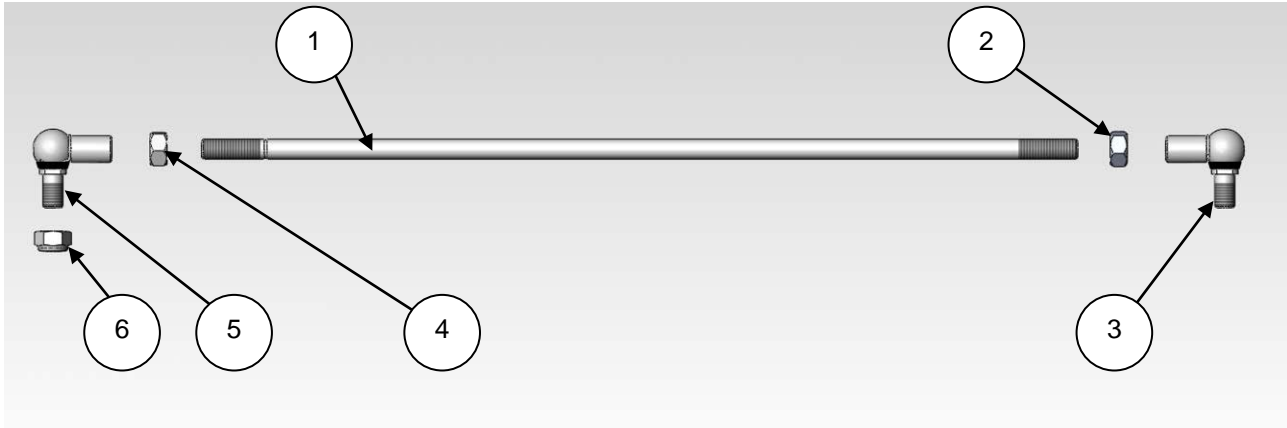
COMMAND CABLE GROUP



Pos.	Code	Description	QTY
1	05226001	COMMAND CABLE L=6000 MM (FOR WB=3105 MM)	1
	05226501	COMMAND CABLE L=6500 MM (FOR WB=3690 MM)	
	05227001	COMMAND CABLE L=7000 MM (FOR WB=4185 AND 4455 MM)	
	05227501	COMMAND CABLE L=8000 MM (FOR WB=4815 MM)	
	05228001	COMMAND CABLE L=8000 MM (FOR WB=5175 MM)	
	05228501	COMMAND CABLE L=8500 MM (FOR WB=5670 MM)	
	05229001	COMMAND CABLE L=9000 MM (FOR WB=6210 MM)	
1.1	05220001	RUBBER GAITOR + BALL JOINT KIT	1
2	45219001	REAR CABLE SUPPORT	1
3	45220059	FRONT CABLE BALL JOINT SUPPORT	1
4	45220058	FRONT CABLE DROP ARM SUPPORT	1
5	45210050	FRONT CABLE CHASSIS SUPPORT	1



DISTRIBUTOR STEERING ROD GROUP

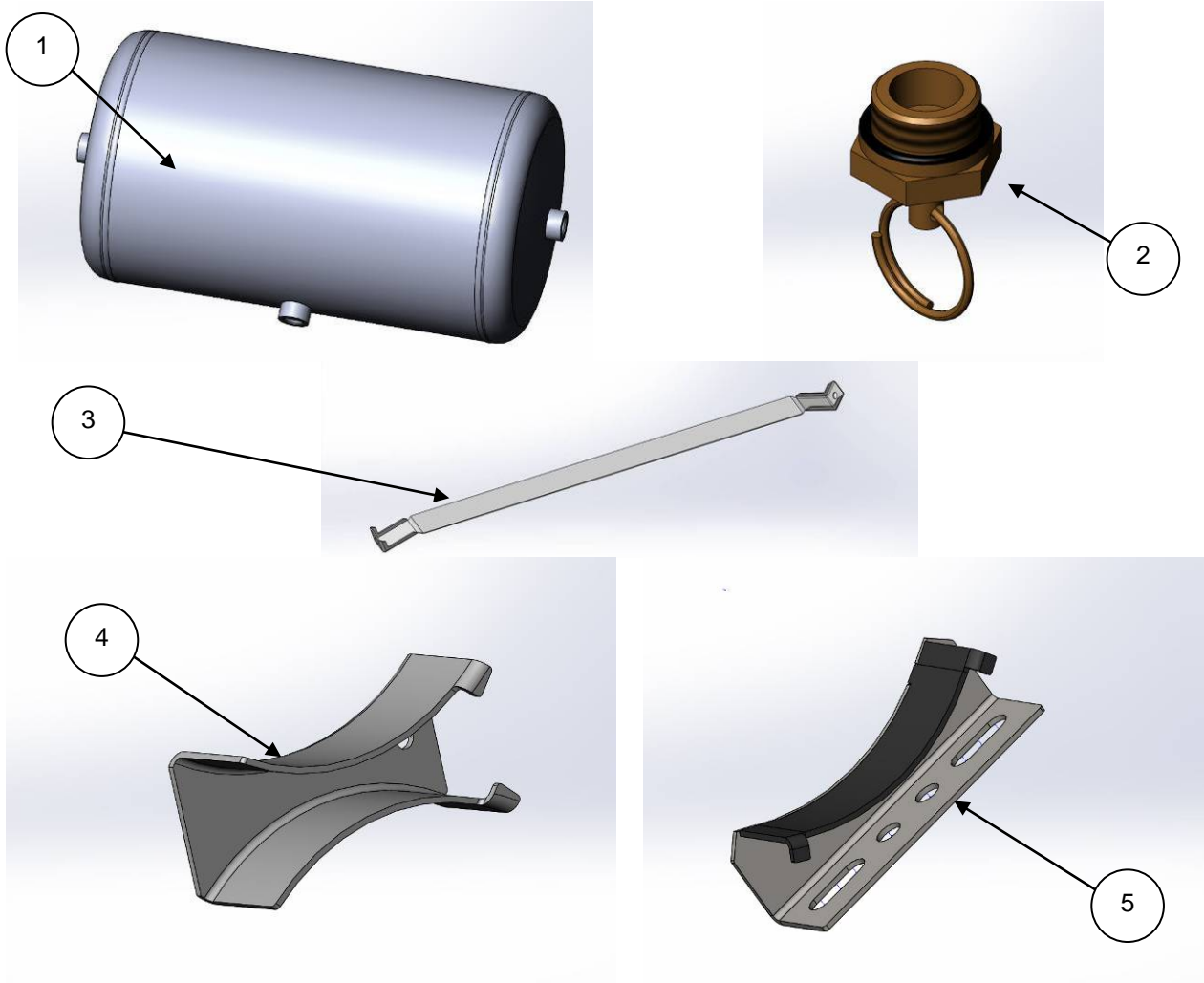


(CODE: 45250183)

Pos.	Code	Description	QTY
1	45250083	DISTRIBUTOR STEERING ROD	1
2	20220012S000	NUT M12 (LEFT)	1
3	05304018	BALL JOINT LEFT	1
4	202200120000	NUT M12	1
5	05304017	BALL JOINT RIGHT	1
6	51000120000	NUT M12	1



AIR TANKS SUSPENSION GROUP



Pos.	Code	Description	QTY
1	05154001	STEEL AIR TANK (20 LITERS) Ø246	2
	05154012	ALUMINIUM AIR TANK (20 LITERS) Ø246	
2	05154101	MANUAL VALVE FOR AIR TANK DRAIN	2
3	05154017	AIR TANK FLEXIBLE CLAMP	4
4	25500001	AIR TANK PROFILED SUPPORT FOR NR. 2 TANKS	2
5	25500053	AIR TANK PROFILED SUPPORT FOR NR. 1 TANK	2



HYDRAULIC PIPE 3/8" M18X1,5 DIR. – M16X1,5 90° WITH FITTINGS



Pos.	Code	Description	QTY
1	45340600	PIPE L=600 MM	2
2	45340850	PIPE L=850 MM	1
3	45341000	PIPE L=1000 MM	1



HYDRAULIC PIPE 3/8" M18X1,5 DIR. – M18X1,5 DIR. WITH FITTINGS



Pos.	Code	Description	QTY
1	45326600	PIPE L=6600 MM (FOR WB=3105 MM, 4 CYLINDER ENGINE)	1
	45326700	PIPE L=6700 MM (FOR WB=3105 MM, 4 CYLINDER ENGINE)	1
	45325500	PIPE L=5500 MM (FOR WB=3105 MM, 6 CYLINDER ENGINE)	1
	45326700	PIPE L=6700 MM (FOR WB=3105 MM, 6 CYLINDER ENGINE)	1
	45327200	PIPE L=7200 MM (FOR WB=3690 MM, 4 CYLINDER ENGINE)	1
	45327300	PIPE L=7300 MM (FOR WB=3690 MM, 4 CYLINDER ENGINE)	1
	45326100	PIPE L=6100 MM (FOR WB=3690 MM, 6 CYLINDER ENGINE)	1
	45327300	PIPE L=7300 MM (FOR WB=3690 MM, 6 CYLINDER ENGINE)	1
	45327700	PIPE L=7700 MM (FOR WB=4185 MM, 4 CYLINDER ENGINE)	1
	45327800	PIPE L=7800 MM (FOR WB=4185 MM, 4 CYLINDER ENGINE)	1
	45326600	PIPE L=6600 MM (FOR WB=4185 MM, 6 CYLINDER ENGINE)	1
	45327800	PIPE L=7800 MM (FOR WB=4185 MM, 6 CYLINDER ENGINE)	1
	45328000	PIPE L=8000 MM (FOR WB=4455 MM, 4 CYLINDER ENGINE)	1
	45328100	PIPE L=8100 MM (FOR WB=4455 MM, 4 CYLINDER ENGINE)	1
	45326900	PIPE L=6900 MM (FOR WB=4455 MM, 6 CYLINDER ENGINE)	1
	45328000	PIPE L=8000 MM (FOR WB=4455 MM, 6 CYLINDER ENGINE)	1
	45328300	PIPE L=8300 MM (FOR WB=4815 MM, 4 CYLINDER ENGINE)	1
	45328400	PIPE L=8400 MM (FOR WB=4815 MM, 4 CYLINDER ENGINE)	1
	45327200	PIPE L=7200 MM (FOR WB=4815 MM, 6 CYLINDER ENGINE)	1
	45328400	PIPE L=8400 MM (FOR WB=4815 MM, 6 CYLINDER ENGINE)	1
	45328700	PIPE L=8700 MM (FOR WB=5175 MM, 4 CYLINDER ENGINE)	1
	45328800	PIPE L=8800 MM (FOR WB=5175 MM, 4 CYLINDER ENGINE)	1
	45327600	PIPE L=7600 MM (FOR WB=5175 MM, 6 CYLINDER ENGINE)	1
	45328800	PIPE L=8800 MM (FOR WB=5175 MM, 6 CYLINDER ENGINE)	1

S.T. SYSTEM TRUCK S.p.A.

Trasformazioni e Soluzioni per Veicoli Industriali

I - 46048 Roverbella (MN) - via Paesa, 28
Tel. +39 0376 696809 - Fax +39 0376 1760180
P.I. 03117430235 - C.F. 02209770797
e-mail: info@stsystemtruck.com
web: www.stsystemtruck.com



Pos.	Code	Description	QTY
1	45329200	PIPE L=9200 MM (FOR WB=5670 MM, 4 CYLINDER ENGINE)	1
	45329300	PIPE L=9300 MM (FOR WB=5670 MM, 4 CYLINDER ENGINE)	1
	45328100	PIPE L=8100 MM (FOR WB=5670 MM, 6 CYLINDER ENGINE)	1
	45329300	PIPE L=9300 MM (FOR WB=5670 MM, 6 CYLINDER ENGINE)	1
	45329700	PIPE L=9700 MM (FOR WB=6210 MM, 4 CYLINDER ENGINE)	1
	45329800	PIPE L=9800 MM (FOR WB=6210 MM, 4 CYLINDER ENGINE)	1
	45328600	PIPE L=8600 MM (FOR WB=6210 MM, 6 CYLINDER ENGINE)	1
	45329800	PIPE L=9800 MM (FOR WB=6210 MM, 6 CYLINDER ENGINE)	1



BRAKE CHAMBER PIPES



Pos.	Code	Description	QTY
1	05154555	PIPE 3/8" L=550 MM	2

BRAKE CHAMBER 20"



(CODE: 05151574)





ELECTRO-VALVE N.C.



(CODE: 05152001)

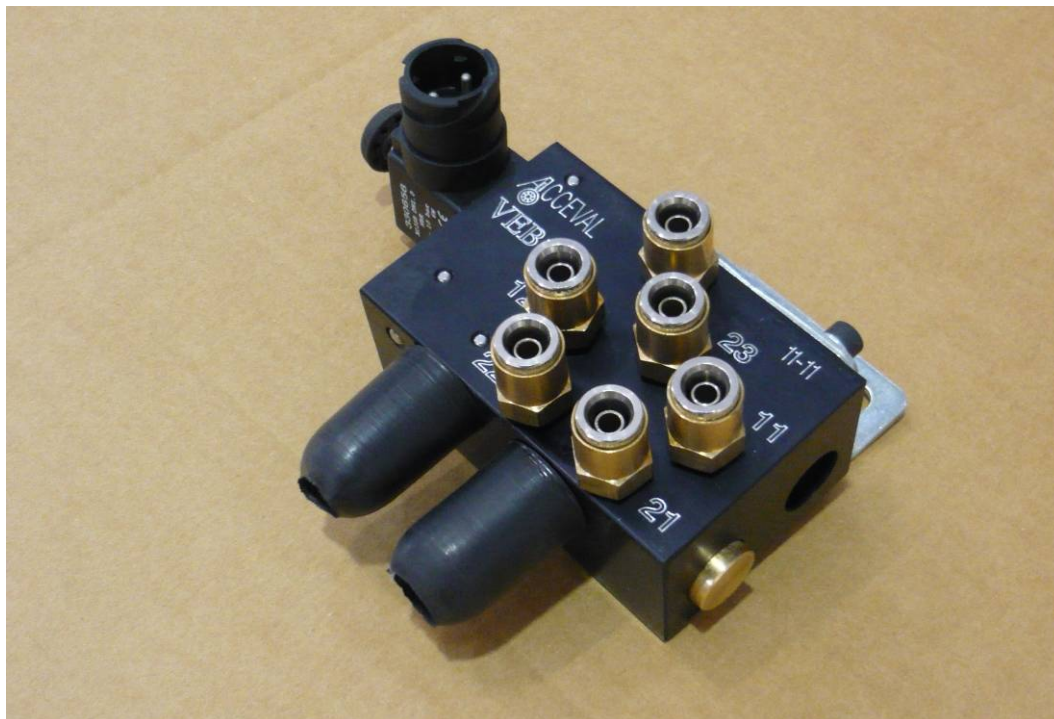
ELECTRO-VALVE N.O.



(CODE: 05152251)

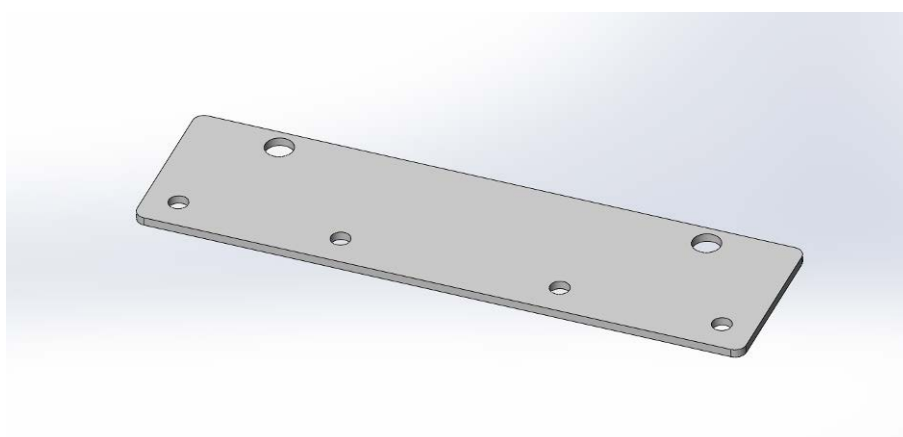


PNEUMATIC VALVE



(CODE: 05156013)

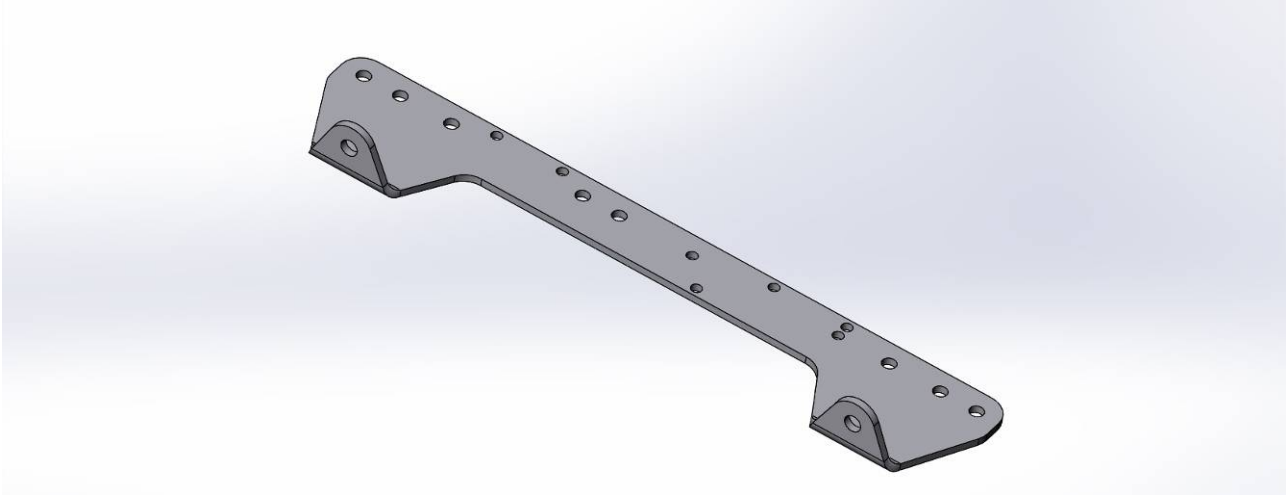
RELAY VALVE SUPPORT



(CODE: 25500025)

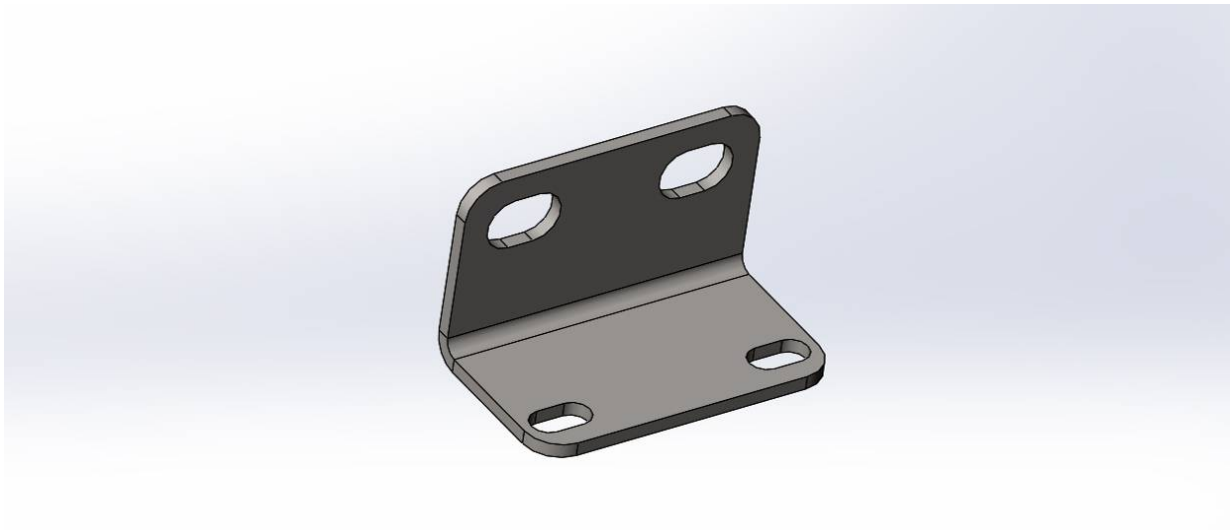


VALVE SUPPORT



(CODE: 25500057)

VALVE SUPPORT



(CODE: 25.06.00.0007)



VALVE CUTTING (2:1)



(CODE: 05156502)

PRESSURE TAKE-OFF



(CODE: 05158502)



RELAY VALVE



(CODE: 05157501)

VALVE (LIMITED PRESSURE 6 BAR)



(CODE: 05156510)



"OR" VALVE



(CODE: 05155502)

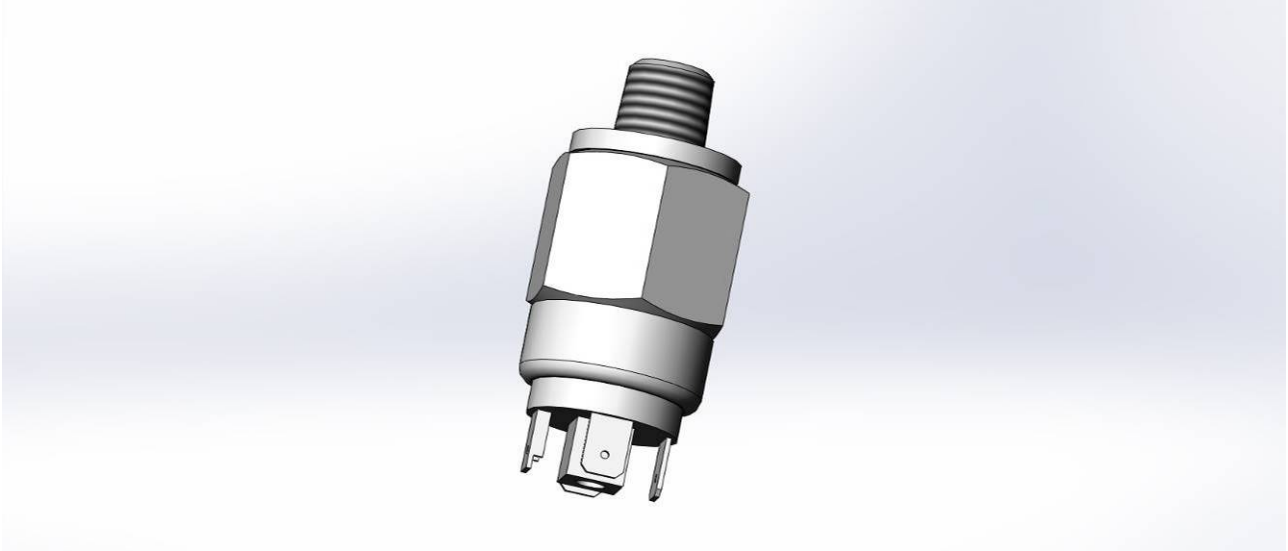
"AND" VALVE



(CODE: 05155501)

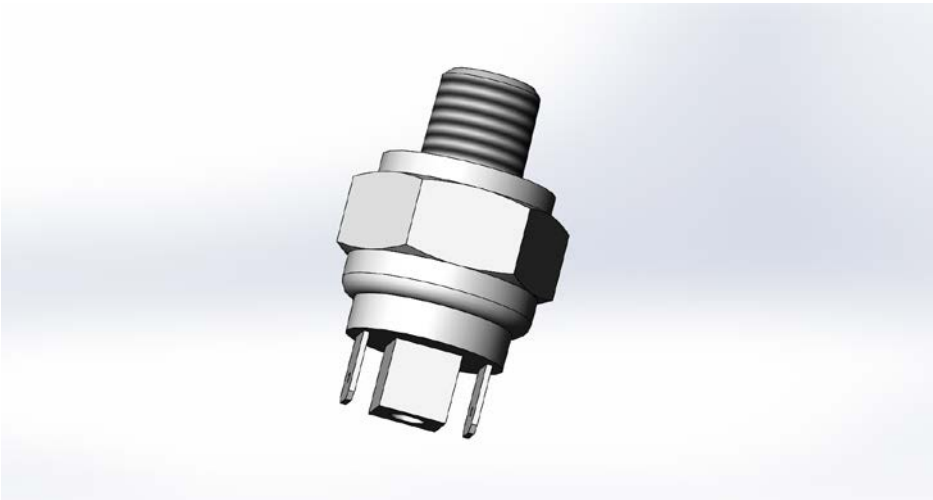


PRESSURE SWITCH N.O. (8,5 BAR)



(CODE: 05153018)

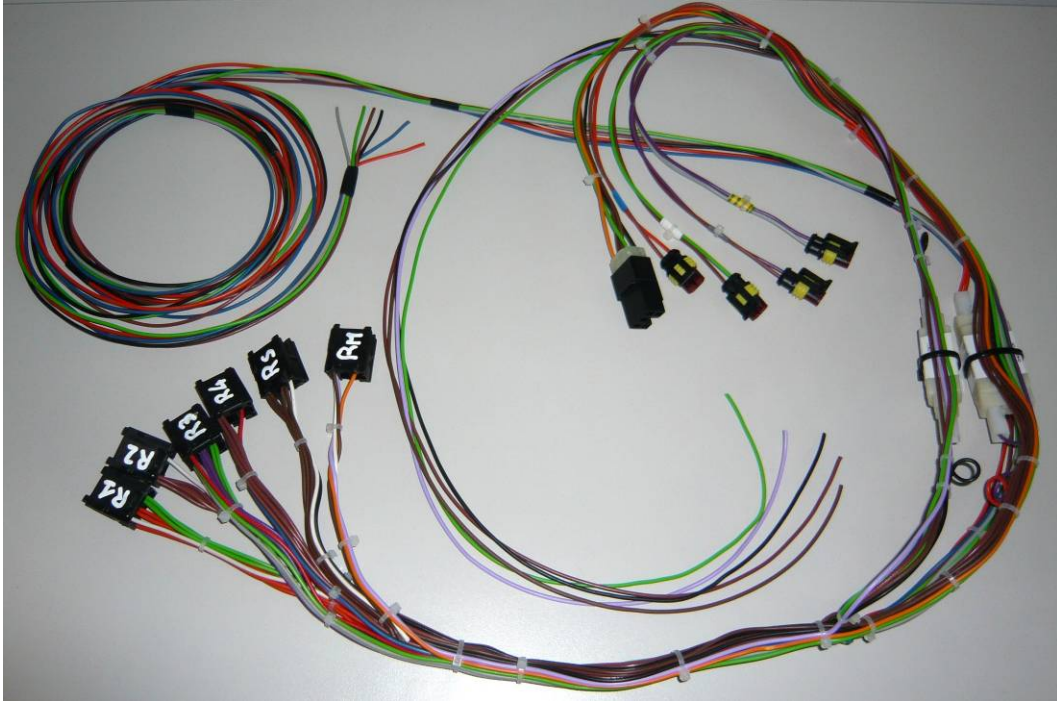
PRESSURE SWITCH N.C. (6,5 BAR)



(CODE: 05153063)



ELECTRICAL SUPPLY CABLE (IN CABIN)



(CODE: 35.03.05.0060)

ELECTRICAL SUPPLY CABLE FOR BRAKE WEAR



(CODE: 35.03.05.0063)



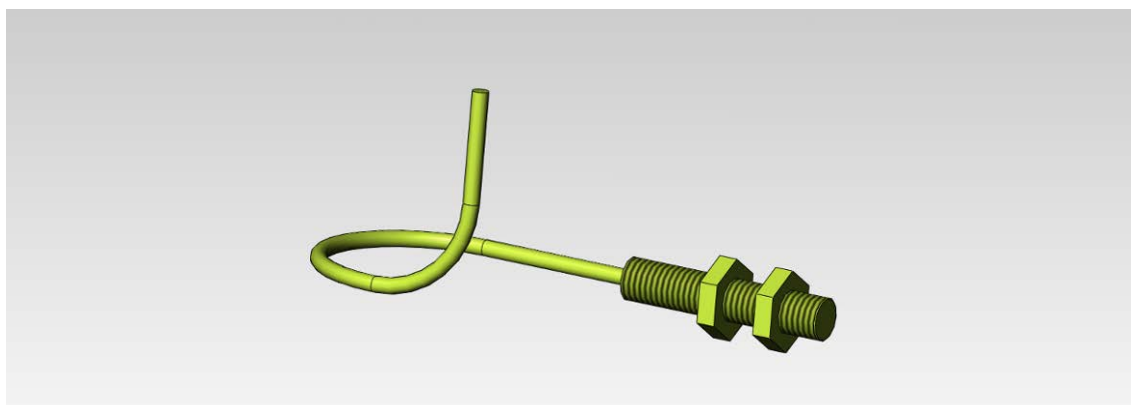


WIRED CABLE FROM CABIN TO CHASSIS



(CODE: 35.03.05.0064)

PROXIMITY SENSOR WITH WIRED CABLE



(CODE: 35951001)



ELECTRICAL SUPPLY CABLE FOR LED



(CODE: 35951002)

ELECTRICAL SUPPLY CABLE FOR LOW OIL LEVEL



(CODE: 35951003)



ELECTRICAL SUPPLY CABLE FOR BY-PASS VALVE AND THERMAL SWITCH



(CODE: 35956012)



ELECTRICAL CAB COMPONENTS



COD. 5801590663
 (BUTTON FOR
 LOAD TRANSFER)

COD. 5801590662
 (BUTTON FOR
 LIFT SYSTEM)



COD. 05256002
 (YELLOW LED FOR MINIMUM
 OIL LEVEL OF STEERING
 SYSTEM)



COD. 05255501
 (RELAY' 24V-10A
 WITH DIODE)



COD. 05255590
 (DIODE 1A-500V)

S.T. SYSTEM TRUCK S.p.A.*Trasformazioni e Soluzioni per Veicoli Industriali*

I - 46048 Roverbella (MN) - via Paesa, 28
 Tel. +39 0376 696809 - Fax +39 0376 1760180
 P.I. 03117430235 - C.F. 02209770797
 e-mail: info@stsystemtruck.com
 web: www.stsystemtruck.com


TIMING TABLE FOR MORE COMMON PARTS REPLACEMENT / OPERATIONS

PART / OPERATION DESCRIPTION	TIME (min)	CODE	PAGE
Troubleshooting non function of steering	60	-	-
Hydraulic Steering system			
Distributor + system bleed	75	601081	13
Cylinder + system bleed	90	601267	6
By-pass block (complete) + system bleed	60	601576	10
Hydraulic pump + system bleed	60	901011	8
Hydraulic pipe + system bleed	45	miscellaneous	18-20
Hydraulic oil tank + system bleed	45	901184	12
Flexible command cable	60	miscellaneous	15
Steering rod to axle	15	45250183	16
Electrical system			
Distributor proximity sensor	30	35951001	29
By-pass electrovalve	15	901183	10
By-pass solenoid	15	901183G	10
By-pass temperature sensor	15	901585	10
By-pass solenoid wiring	15	35956012	31
Iveco cab button	15	5801590662 - 5801590663	32
Low oil level LED	30	05256002	32
Relay	15	05255501	32
Diode	15	05255590	32
Air system			
Brake cylinder	15	05151574	21
Air tank	30	05154001 – 05154012	17
Pneumatic valve	30	miscellaneous	22-27
Pressure switch	15	05153018 – 05153063	28
Suspension + Axle lift system			
Suspension air bellow	30	05101002	5
Axle lift air bellow	30	05101010	5
Shock absorber	15	05102005	5
U-bolts	15	10.18.00.0008	5
Spring	90	10.10.00.0007	5
Silent-block + Washer	90	05710027 + 10459004	5
Suspension main support	120	10.07.00.0186 -10.07.00.0210	5
Allineamento assale	60	-	-

ATTENTION: A preliminary contact to ST SYSTEM TRUCK is required for any work not listed in the table and to be performed in the warranty period (ST SYSTEM TRUCK will define the working time).

S.T. SYSTEM TRUCK S.p.A.

Trasformazioni e Soluzioni per Veicoli Industriali

I - 46048 Roverbella (MN) - via Paesa, 28
Tel. +39 0376 696809 - Fax +39 0376 1760180
P.I. 03117430235 - C.F. 02209770797
e-mail: info@stsystemtruck.com
web: www.stsystemtruck.com



CONTACT US

Commercial:

commerciale@stsystemtruck.com

Technical:

tecnico@stsystemtruck.com

Export:

export@stsystemtruck.com

Spare Parts:

ricambi@stsystemtruck.com

Information:

info@stsystemtruck.com

