



Spare parts Catalogue

IVECO 190S../FP-GV application of fixed 17,5" pusher axle

Version 0

S.T. SYSTEM TRUCK S.p.A.



Note

WHEN PLACING ORDERS FOR SPARE PARTS PLEASE HAVE THE FOLLOWING INFORMATION AVAILABLE:

- **VEHICLE CHASSIS NUMBER,**
- **ASSEMBLY DRAWING NUMBER,**
- **ITEM NUMBER OR PART NUMBER.**

S.T. SYSTEM TRUCK S.p.A.

Trasformazioni e Soluzioni per Veicoli Industriali

I - 46048 Roverbella (MN) - via Paesa, 28
Tel. +39 0376 696809 - Fax +39 0376 176 01 80
P.I. 03117430235 - C.F. 02209770797
e-mail: info@stsystemtruck.com
web: www.stsystemtruck.com



Contents conversion code 50.01.30.0006

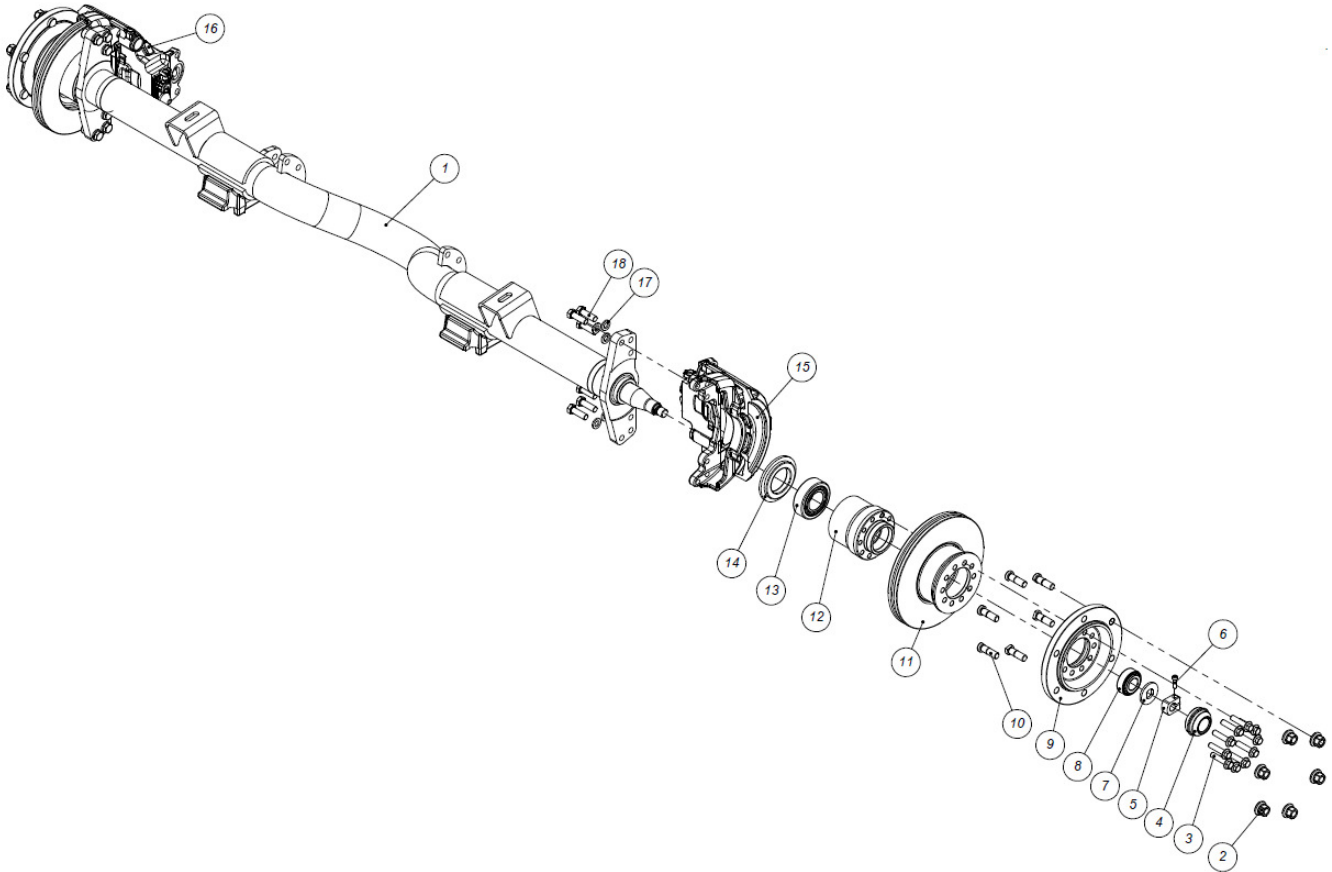
Page

ADDED AXLE	3
SUSPENSION ADDED AXLE	5
AIR TANKS SUSPENSION GROUP	7
BRAKE CHAMBER 12"	7
BRAKE CHAMBER PIPES.....	8
PRESSURE SWITCH (CONTACT N.C.) 6,0 BAR	8
PRESSURE SWITCH PROTECTION.....	9
ELECTRO-VALVE N.O.....	9
AIR TAKE-OFF	10
AIR PRESSURE VALVE WITH LIMITED RETURN (8,5 BAR)	10
VALVE CIRCUIT SELECT "AND"	11
VALVE CIRCUIT SELECT "OR"	11
RELAY VALVE	12
PRESSURE REDUCTION GROUP (6 BAR).....	12
PNEUMATIC VALVE	13
24V MICRO RELAY	13
ELECTRICAL CAB COMPONENTS.....	14
MICRO RELAY CABLE.....	14
ELECTRICAL SUPPLY CABLE (IN CHASSIS).....	15
ELECTRICAL SUPPLY CABLE (IN CABIN)	15
CONTACT US.....	16





ADDED AXLE



(CODE: S08F052058)

Pos.	Code	Description	QTY
1	*	AXLE BEAM	1
2	T.11052004	NUT M18X1,5 H24	12
3	T.08028052	SCREW TE M14X1,5X60	20
4	T.04031091	HUB CUP	2
5	T.04035030	NUT M24X1,5	2
6	T.08037017	SCREW	2
7	T.04034151	SPACER	2
8	T.07049053	BEARING	2
9	T.04046038	BRAKET	2
10	T.11048019	BOLT LONG 55mm	12
11	T.04047041	DISC BRAKE	2
12	T.04046037	HUB	2
13	T.07049052	BEARING	2
14	T.07050037	GREASE SEAL	2
15	T.11051023	CALIPER	1
16	T.11051022	CALIPER	1

S.T. SYSTEM TRUCK S.p.A.

Trasformazioni e Soluzioni per Veicoli Industriali

I - 46048 Roverbella (MN) - via Paesa, 28
Tel. +39 0376 696809 - Fax +39 0376 176 01 80
P.I. 03117430235 - C.F. 02209770797
e-mail: info@stsystemtruck.com
web: www.stsystemtruck.com

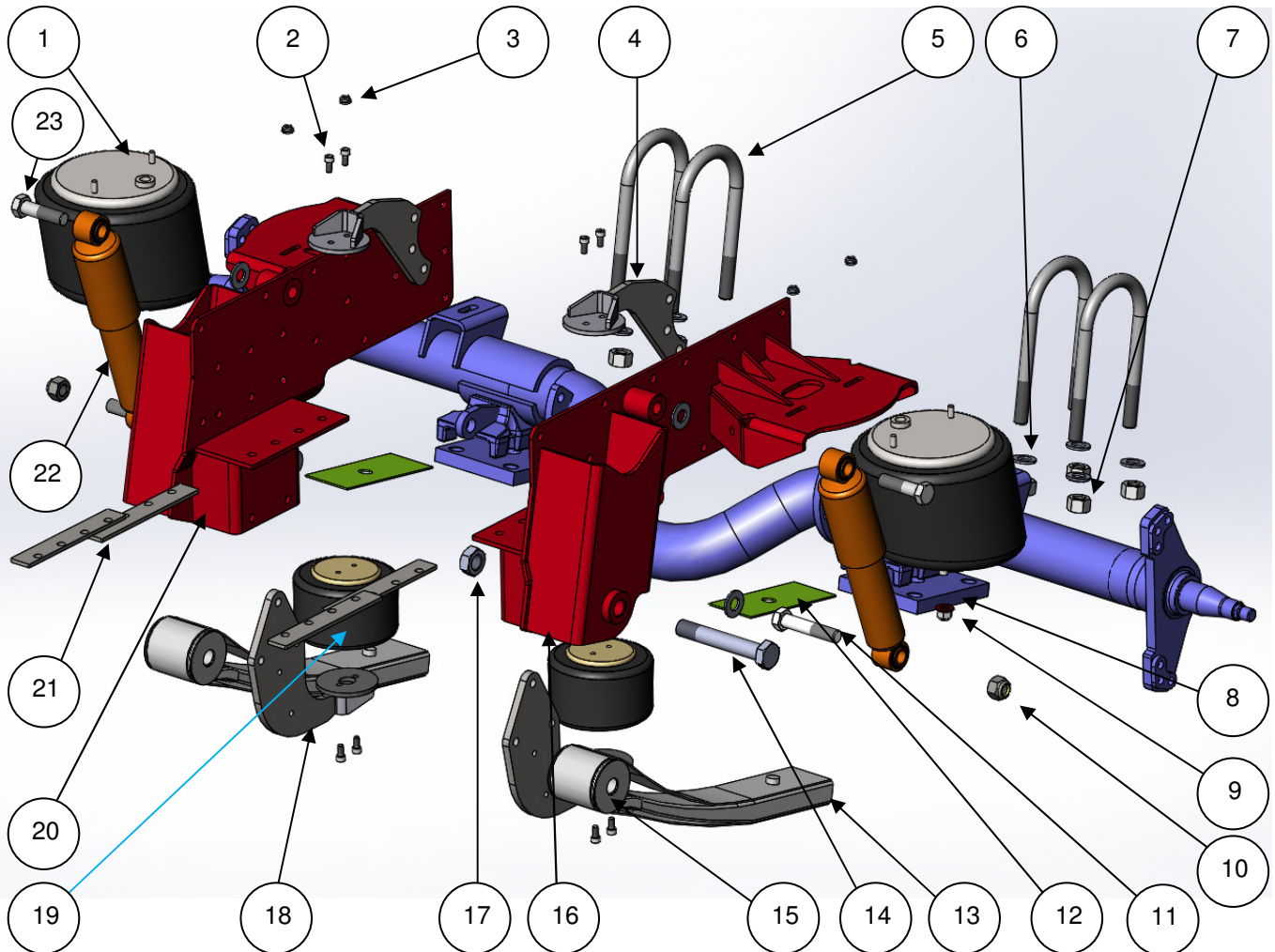


Pos.	Code	Description	QTY
17	T.08026014	WASHER	12
18	T.08028022	SCREW TE M14X1,5X50	12
*WHEN ORDERING THIS ITEM PLEASE GIVE US THE COplete AXLE REFERENCE.			





SUSPENSION ADDED AXLE



(CODE: 10.03.15.0026)

Pos.	Code	Description	QTY
1	05101019	SUSPENSION AIR BAG	2
2	200100100020	BOLT TCCE M10 L=20 CL. 8.8	8
3	06230010000	NUT M10X1.25 CL. 10	4
4	10.23.10.0042	SUPPORT FOR AXLE LIFT	2
5	10.18.00.0001	U-BOLT M24X2 Ø127 L=270	4
6	73000240000	WASHER Ø24	8
7	10500051	NUT M24X2 CL. 10	8
8	203000160000	WASHER Ø16	1
9	50000160000	NUT M16 CL. 8	1
10	52000240000	NUT M24X2 CL. 8	2
11	222000240120	BOLT 8.8 M24X2 L=190	2
12	10459050	PLATE TO ADJUST AXLE ALIGNMENT	2
13	10.10.00.0002	SPRING	2
14	10500151	BOLT TE 8.8 M30X3,5 L=190 FOR SPRING	2



S.T. SYSTEM TRUCK S.p.A.

Trasformazioni e Soluzioni per Veicoli Industriali

I - 46048 Roverbella (MN) - via Paesa, 28
Tel. +39 0376 696809 - Fax +39 0376 176 01 80
P.I. 03117430235 - C.F. 02209770797
e-mail: info@stsystemtruck.com
web: www.stsystemtruck.com

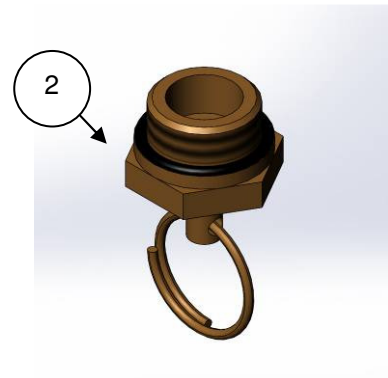
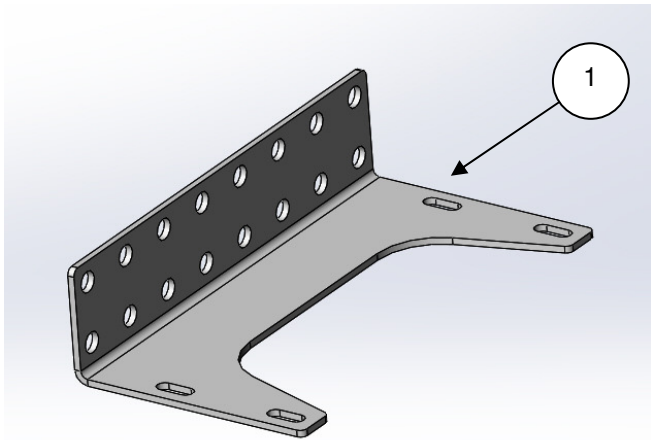


Pos.	Code	Description	QTY
15	10459001	SPRING EYE WASHER SET	4
16	10.07.00.0240	RIGHT SUSPENSION SUPPORT	1
17	10500101	NUT M30X3,5 CL. 8	2
18	10.23.10.0043	AXLE LIFT AIR BAG LOWER SUPPORT	2
19	05101013	AIR BAG FOR AXLE LIFT	2
20	10.07.00.0241	LEFT SUSPENSION SUPPORT	1
21	10.21.00.0002	PLATE 270X43 H=7	4
22	05102006	SHOCK ABSORBER	2
23	2220002402090	BOLT M24X2 L=90 ZINC.	2





AIR TANKS SUSPENSION GROUP



Pos.	Code	Description	QTY
1	01.01.00.0737	AIR TANK SUPPORT	2
2	05154101	MANUAL VALVE FOR AIR TANK DRAIN	2

BRAKE CHAMBER 12"



(CODE: 05151568)

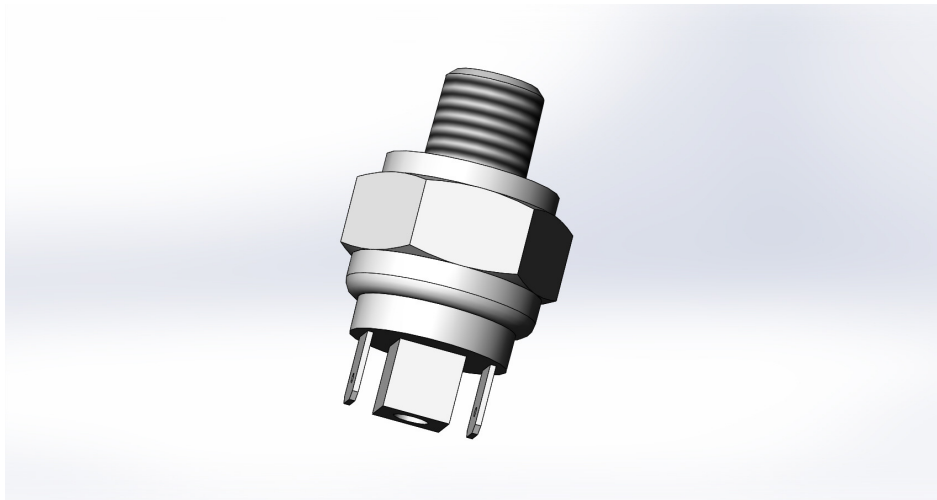


BRAKE CHAMBER PIPES



Pos.	Code	Description	QTY
1	05154555	PIPE 3/8" L=550 MM	2

PRESSURE SWITCH (CONTACT N.C.) 6,0 BAR



(CODE: 05153059)



PRESSURE SWITCH PROTECTION



(CODE: 05153000)

ELECTRO-VALVE N.O.



(CODE: 05152251)



AIR TAKE-OFF



(CODE: 05158502)

AIR PRESSURE VALVE WITH LIMITED RETURN (8,5 BAR)



(CODE: 05157001)

VALVE CIRCUIT SELECT "AND"



(CODE: 05155501)

VALVE CIRCUIT SELECT "OR"



(CODE: 05155502)

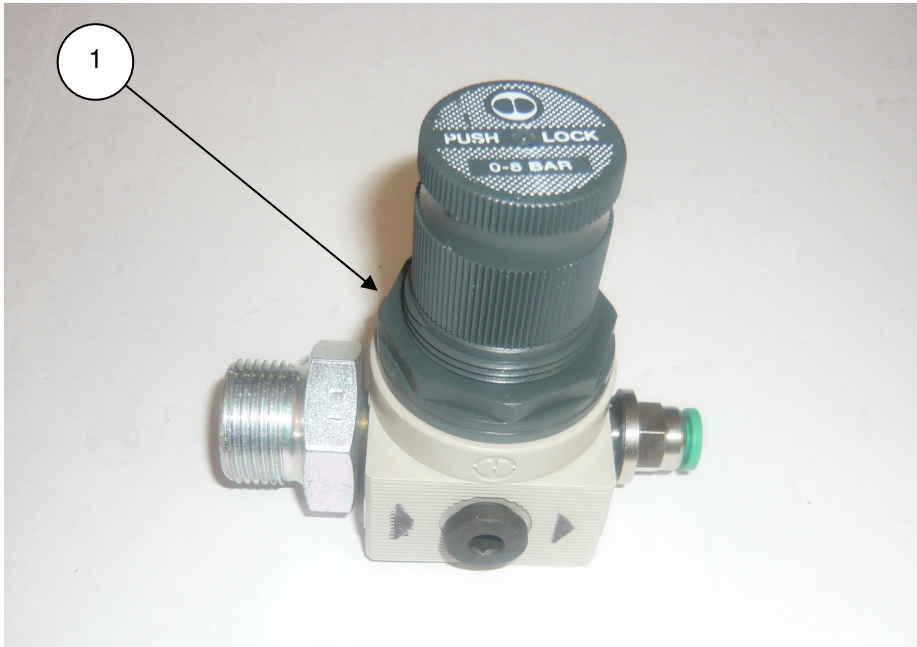


RELAY VALVE



(CODE: 05157501)

PRESSURE REDUCTION GROUP (6 BAR)



(CODE: 05163501C)

Pos.	Code	Description	QTY
1	05153501	PRESSURE REDUCTION (6 BAR)	1



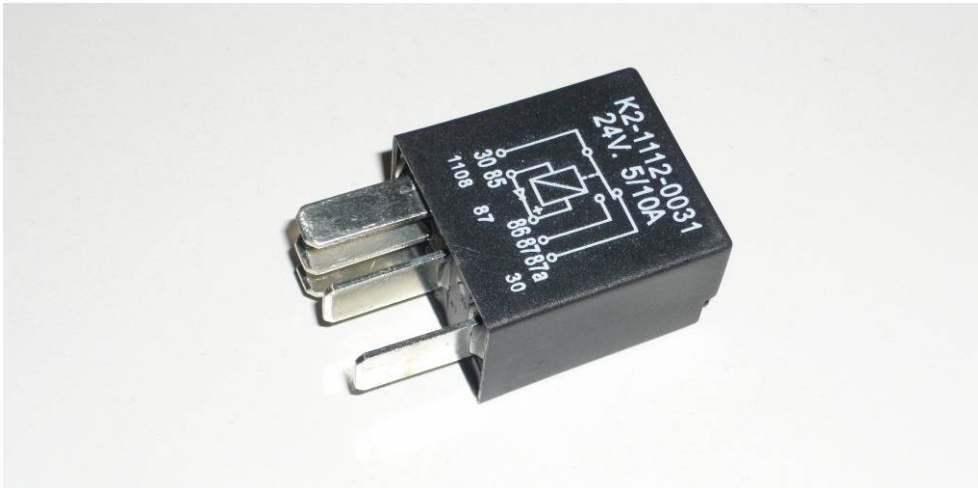


PNEUMATIC VALVE



(CODE: 05156013)

24V MICRO RELAY

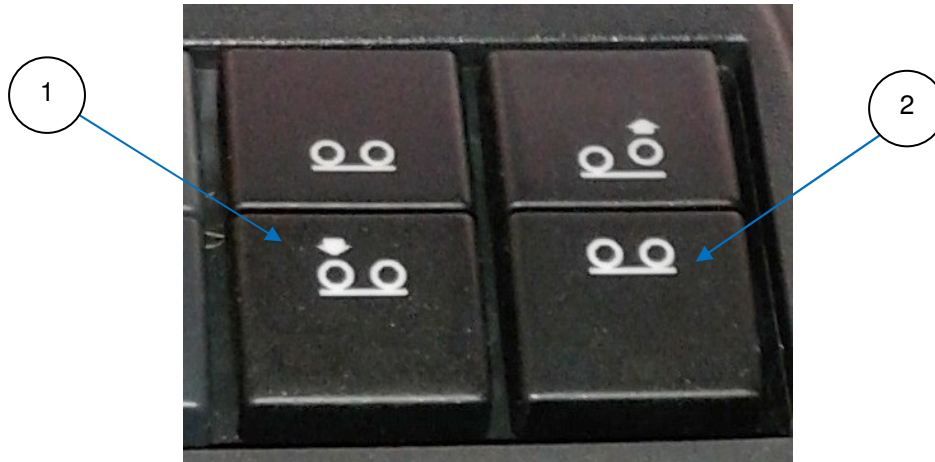


(CODE: 05255501)





ELECTRICAL CAB COMPONENTS



Pos.	Code	Description	QTY
1	5801590663	BUTTON FOR LOAD TRANSFER	1
2	5801590662	BUTTON FOR LIFT SYSTEM	1

MICRO RELAY CABLE



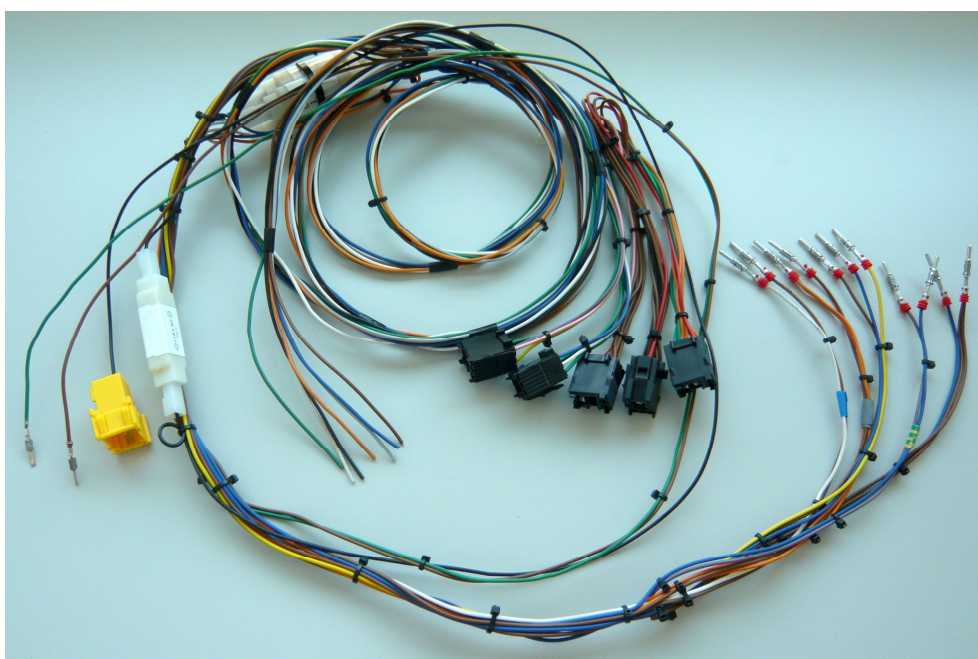
(CODE: 35951020)

ELECTRICAL SUPPLY CABLE (IN CHASSIS)



(CODE: 35.03.05.0080)

ELECTRICAL SUPPLY CABLE (IN CABIN)



(CODE: 35.03.05.0081)

S.T. SYSTEM TRUCK S.p.A.

Trasformazioni e Soluzioni per Veicoli Industriali

I - 46048 Roverbella (MN) - via Paesa, 28
Tel. +39 0376 696809 - Fax +39 0376 176 01 80
P.I. 03117430235 - C.F. 02209770797
e-mail: info@stsystemtruck.com
web: www.stsystemtruck.com



CONTACT US

Commercial:
commerciale@stsystemtruck.com

Technical:
tecnico@stsystemtruck.com

Export:
export@stsystemtruck.com

Spare Parts:
ricambi@stsystemtruck.com

Information:
info@stsystemtruck.com

