



Spare parts Catalogue

IVECO STRALIS 260S EURO 6
configuration 1+3
with 2nd axle original Iveco

Version 8

S.T. SYSTEM TRUCK S.p.A.



S.T. SYSTEM TRUCK S.p.A.

Trasformazioni e Soluzioni per Veicoli Industriali

I - 46048 Roverbella (MN) - via Paesa, 28
Tel. +39 0376 696809- Fax +39 0376 176 01 80
P.I. 03117430235 - C.F. 02209770797
e-mail: info@stsystemtruck.com
web: www.stsystemtruck.com



Note

WHEN PLACING ORDERS FOR SPARE PARTS PLEASE HAVE THE FOLLOWING INFORMATION AVAILABLE:

- **VEHICLE CHASSIS NUMBER,**
- **ASSEMBLY DRAWING NUMBER,**
- **ITEM NUMBER OR PART NUMBER.**



Contents	Page
IVECO AXLE	4
SUSPENSION	5
OIL CYLINDER (WITH AIR CENTRING)	7
HYDRAULIC FITTINGS FOR OIL CYLINDER	8
AXLE STEERING LEVER	8
CONICAL KING PIN KIT	9
OIL CYLINDER SEAL REPAIR KIT	9
HYDRAULIC PUMP ASSEMBLY	10
HYDRAULIC FITTINGS FOR HYDRAULIC PUMP	11
BY PASS VALVE WITH THERMOSTAT ASSEMBLY	12
SUPPORT AND HYDRAULIC FITTINGS FOR BY PASS VALVE	13
OIL TANK GROUP	14
RADIATOR OIL/AIR GROUP	15
DISTRIBUTOR ASSEMBLY	16
HYDRAULIC FITTINGS FOR DISTRIBUTOR	17
DISTRIBUTOR SUPPORT	17
COMMAND CABLE GROUP	18
DISTRIBUTOR STEERING ROD GROUP	19
DISTRIBUTOR STEERING ROD SUPPORT	19
AIR TANKS SUSPENSION GROUP	20
RELAY VALVE SUPPORT	21
PNEUMATIC VALVE	21
RELAY VALVE GROUP	22
RELAY VALVE GROUP	23
BRAKE CHAMBER PIPES	24
BRAKE CHAMBER 12"	24
BRAKE CHAMBER 24/14"	25
PROXIMITY SENSOR WITH WIRED CABLE	25
ELECTRICAL SUPPLY CABLE FOR LED	26
ELECTRICAL SUPPLY CABLE FOR LOW OIL LEVEL	26
ELECTRICAL SUPPLY CABLE FOR MICRO, BY-PASS, PRESSURE SWITCH AND E.V.	27
ELECTRICAL SUPPLY CABLE FOR BRAKE WEAR	27
ELECTRICAL SUPPLY CABLE FOR STEERING (IN CABIN)	28
CONTACTS	29

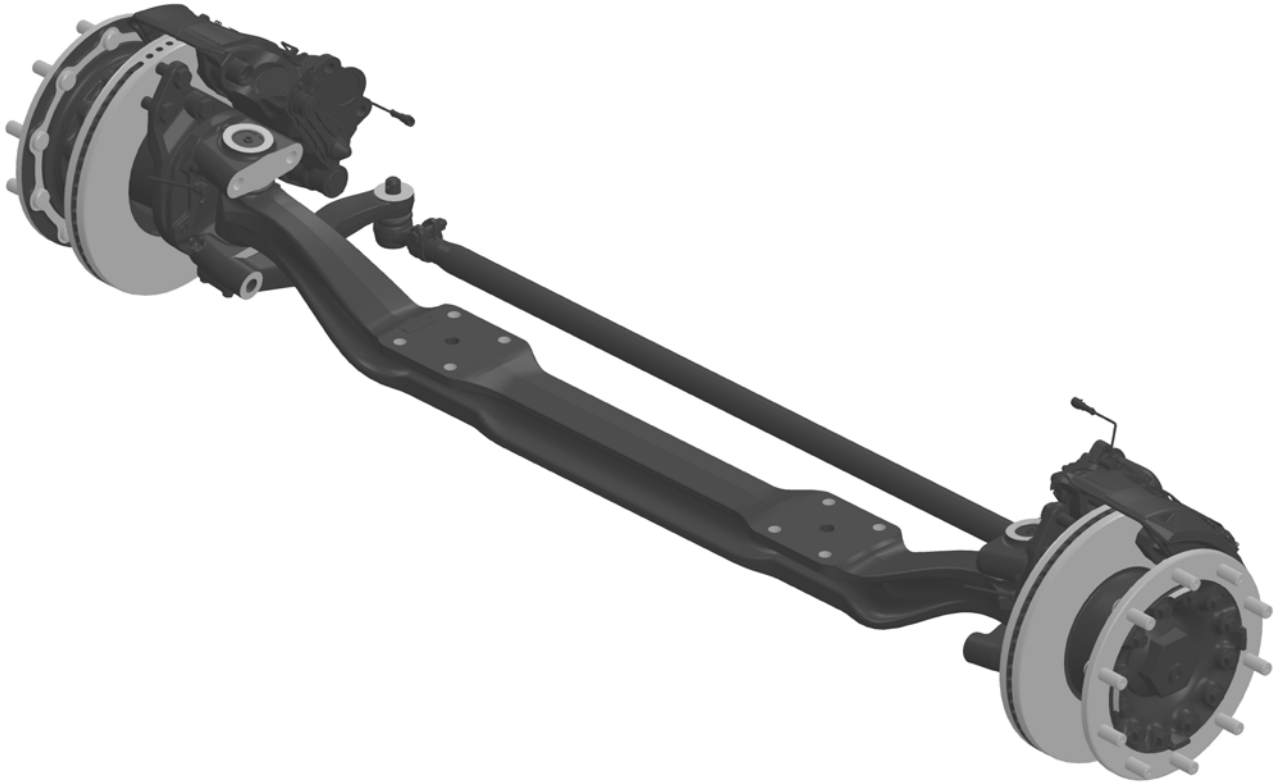
S.T. SYSTEM TRUCK S.p.A.

Trasformazioni e Soluzioni per Veicoli Industriali

I - 46048 Roverbella (MN) - via Paesa, 28
Tel. +39 0376 696809- Fax +39 0376 176 01 80
P.I. 03117430235 - C.F. 02209770797
e-mail: info@stsystemtruck.com
web: www.stsystemtruck.com



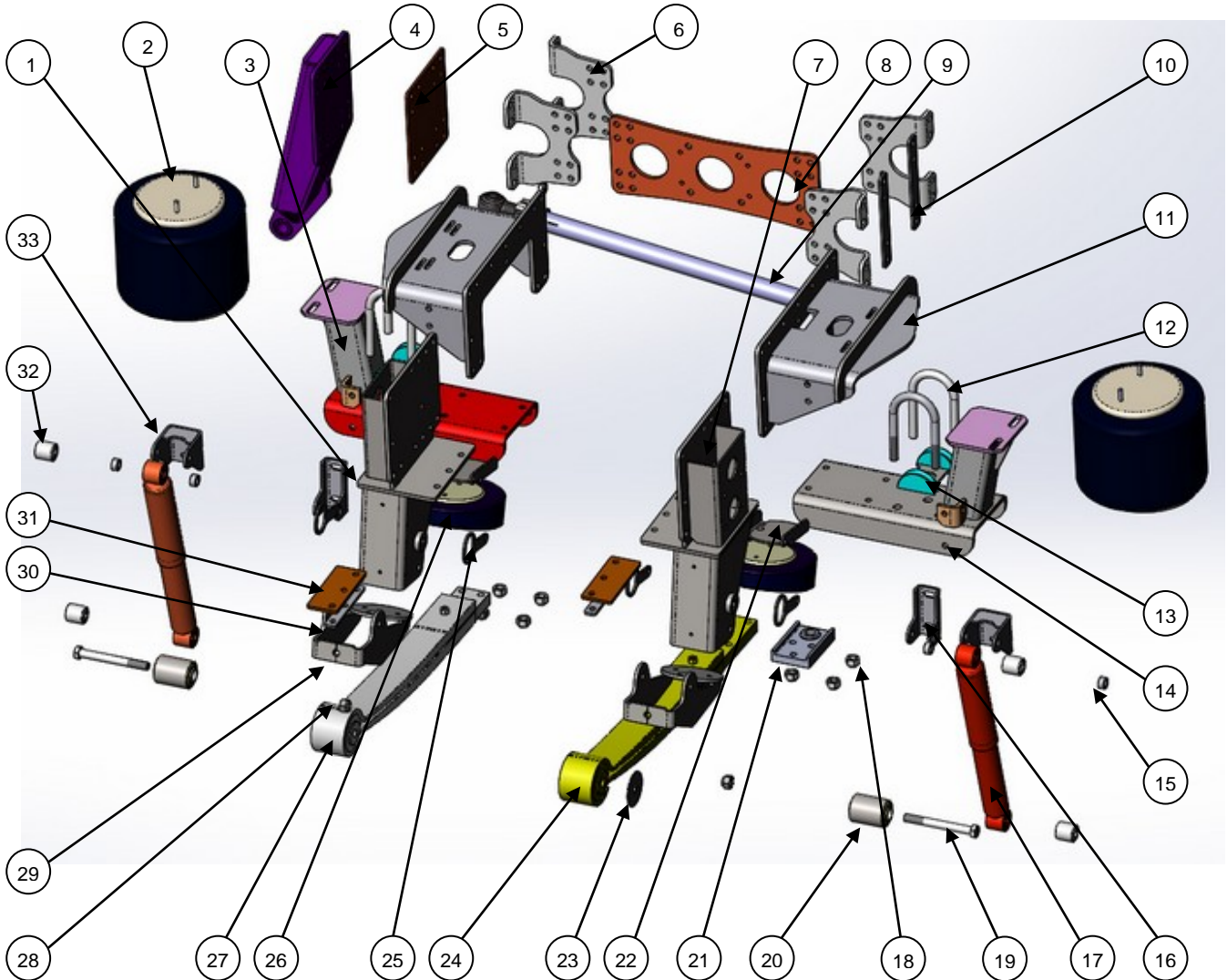
IVECO AXLE



(CODE: 7184178)



SUSPENSION



(CODE: 10.03.00.0042)

Pos.	Code	Description	QTY
1	10.07.00.0166	RIGHT SUSPENSION SUPPORT	1
2	05101002	SUSPENSION AIR BAG	2
3	10310031	RIGHT SUSPENSION HANGER SUPPORT	1
4	10.07.00.0029	SUPPORT FOR PANHARD BAR	1
5	01.01.00.0089	DISTANCE PLATE 6 MM	1
6	01.01.00.0636	CROSSMEMBER REINFORCEMENT SIDE PLATE	4
7	10.07.00.0165	LEFT SUSPENSION SUPPORT	1
8	01.01.00.0637	CROSSMEMBER REINFORCEMENT CENTRE PLATE	1
9	10450019	PANHARD BAR GROUP	1
10	01.01.00.0088	CROSSMEMBER REINFORCEMENT LEFT PLATE 6 MM	2



S.T. SYSTEM TRUCK S.p.A.*Trasformazioni e Soluzioni per Veicoli Industriali*

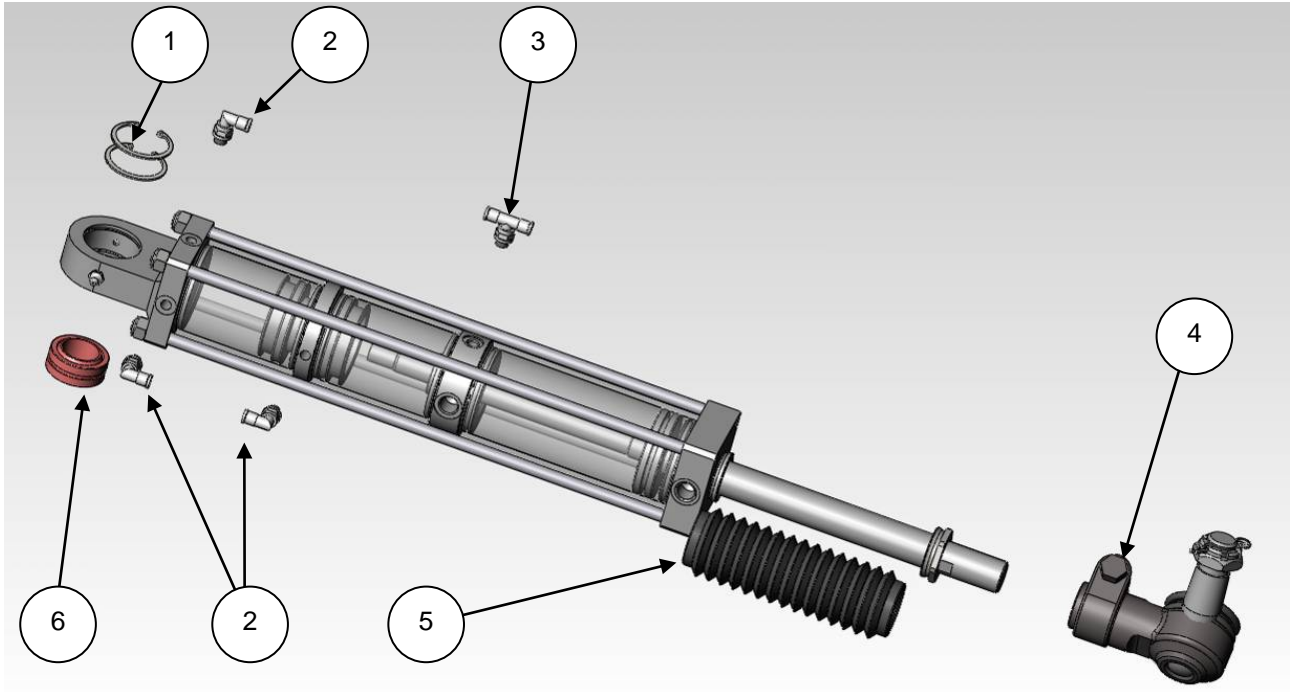
I - 46048 Roverbella (MN) - via Paesa, 28
Tel. +39 0376 696809- Fax +39 0376 176 01 80
P.I. 03117430235 - C.F. 02209770797
e-mail: info@stsystemtruck.com
web: www.stsystemtruck.com



Pos.	Code	Description	QTY
11	10.07.00.0235	AIR BAG UPPER SUPPORT	2
12	10500148	U-BOLT M20x1.5x180	4
13	10310002	U-BOLT SUPPORT	2
14	10.07.05.0028	LEFT SUSPENSION HANGER SUPPORT	1
15	06900180	SPACER Ø17x30 H=15 MM	4
16	10300304	AIR BAG LOWER SUPPORT	2
17	05102010	SHOCK ABSORBER	2
18	10500050	NUT. M20x1,5 CL. 10	8
19	322100200180	BOLT TE 10.9 UNI 5738 M20x1,5x180	2
20	05710025	SPRING SILENTBLOCK	2
21	10.07.05.0015	PANHARD BAR LOWER SUPPORT PLATE	1
22	10.23.10.0024	AXLE LIFT AIR BAG UPPER SUPPORT PLATE	2
23	10459003	SPRING EYE WASHER SET	4
24	10.09.00.0001	LEFT SPRING	1
25	10.23.10.0025	AXLE LIFT SIDE SUPPORT STRIP	2
26	05101010	AIR BAG FOR AXLE LIFT	2
27	05100100	RIGHT SPRING	1
28	52000200000	NUT M20x1,5 CL. 8	2
29	10.23.10.0026	AXLE LIFT AIR BAG LOWER SUPPORT	2
30	10450210	DISTANCE PLATE	2
31	01.01.00.0241	SUSPENSION PLATE	2
32	05710023	SHOCK ABSORBER SILENTBLOCK	4
33	10.07.00.0051	SHOCK ABSORBER UPPER SUPPORT	2



OIL CYLINDER (WITH AIR CENTRING)

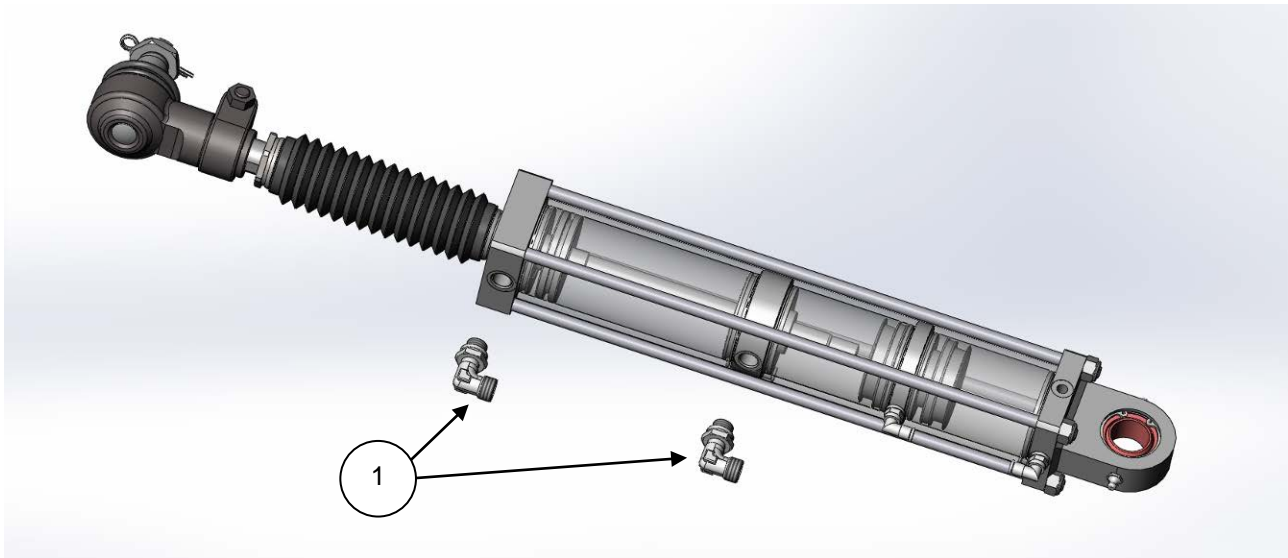


(CODE: 601268)

Pos.	Code	Description	QTY
1	901166	SEEGER	2
2	05802014	FITTING	3
3	05802018	UNION "T" FITTING	1
4	801145	BALL JOINT	1
5	901272	RUBBER GAITOR	1
6	901167	SFERICAL JOINT	1

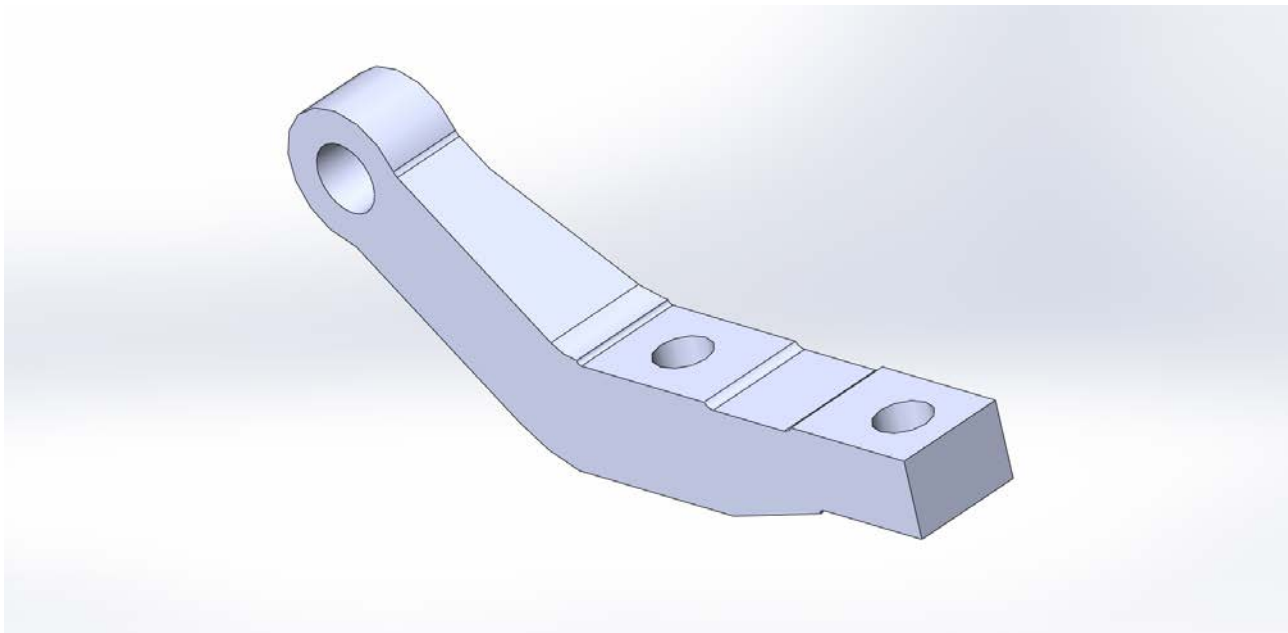


HYDRAULIC FITTINGS FOR OIL CYLINDER



Pos.	Code	Description	QTY
1	05850152	90° ELBOW FITTING M. M16X1,5 - M. M18X1,5	2

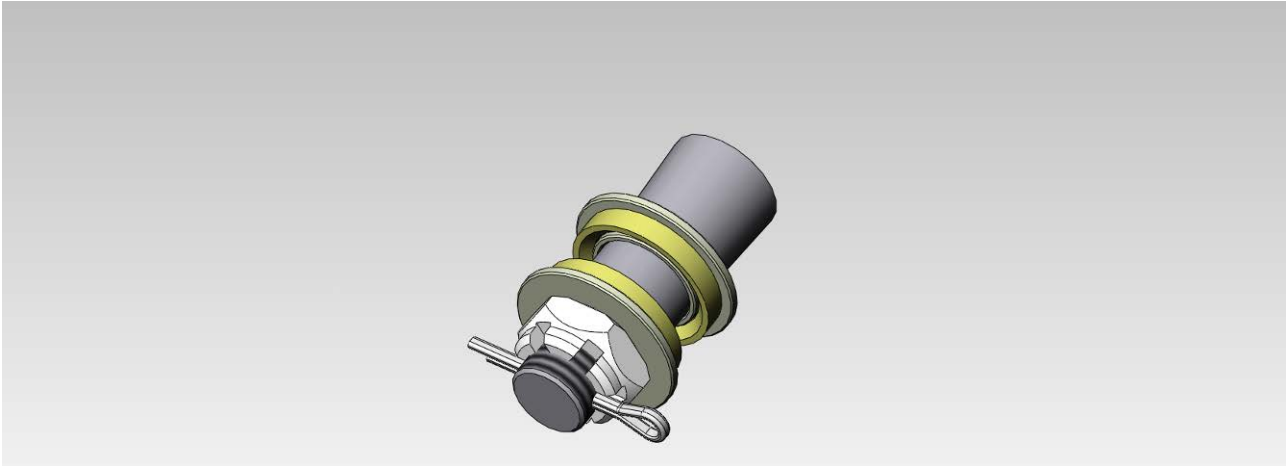
AXLE STEERING LEVER



(CODE: 20980011)

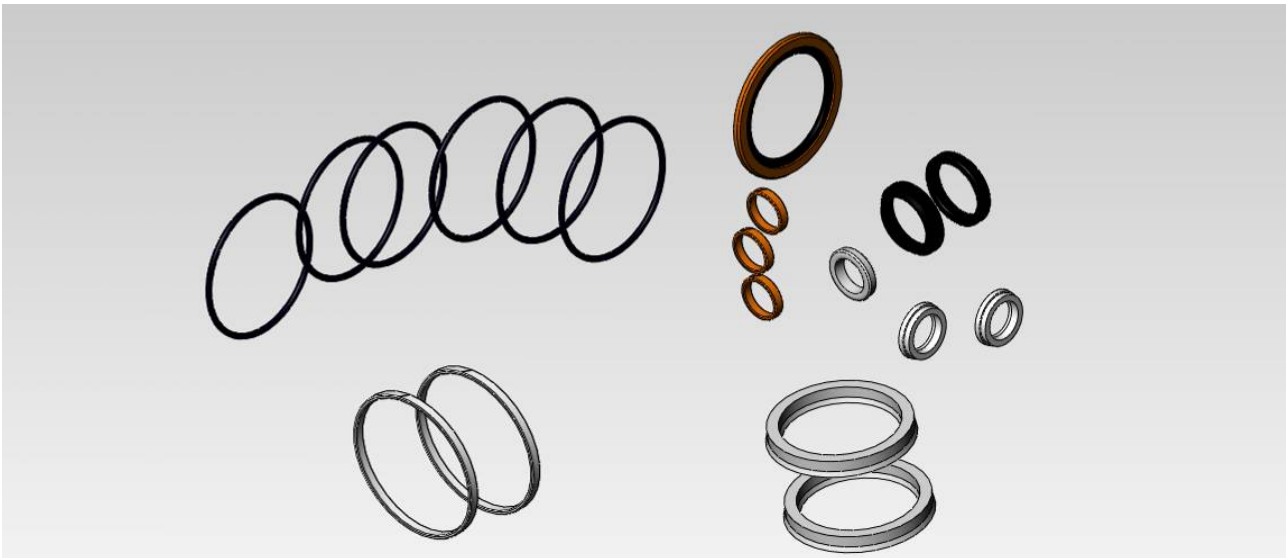


CONICAL KING PIN KIT



(CODE: 15011001)

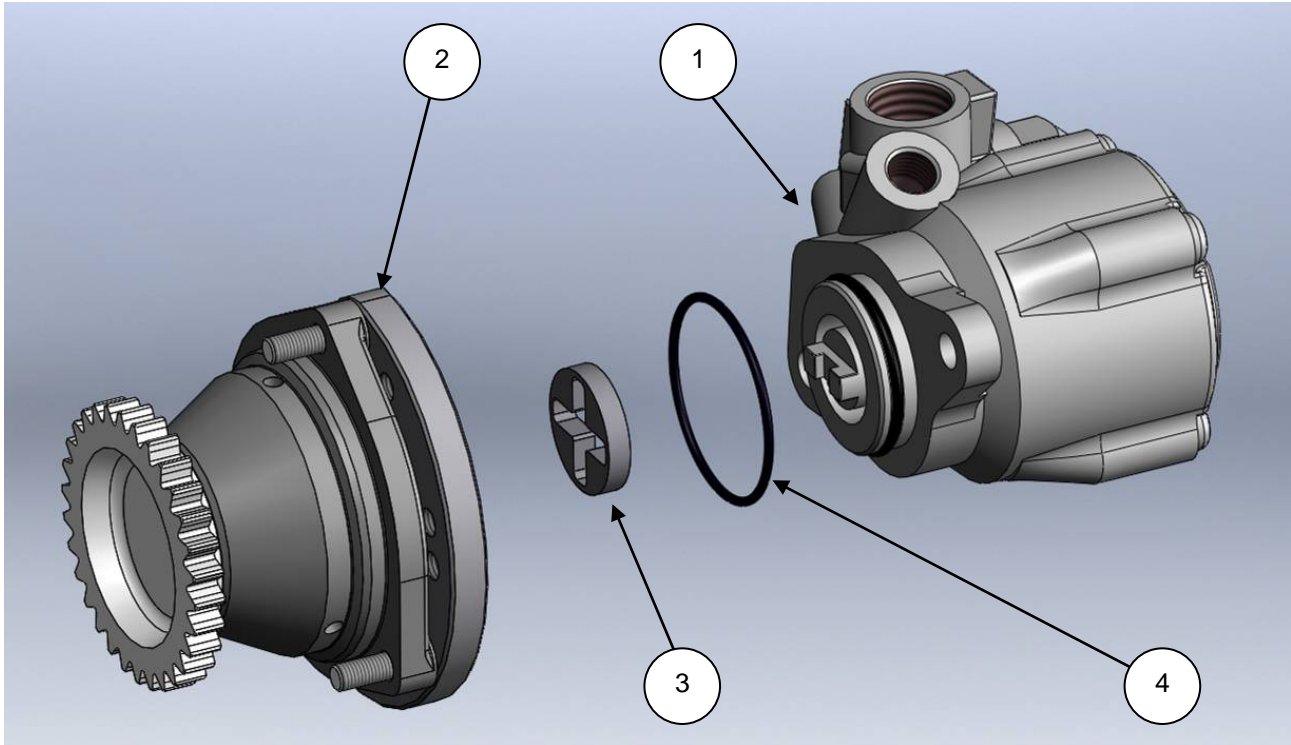
OIL CYLINDER SEAL REPAIR KIT



(CODE: 601268GUA)



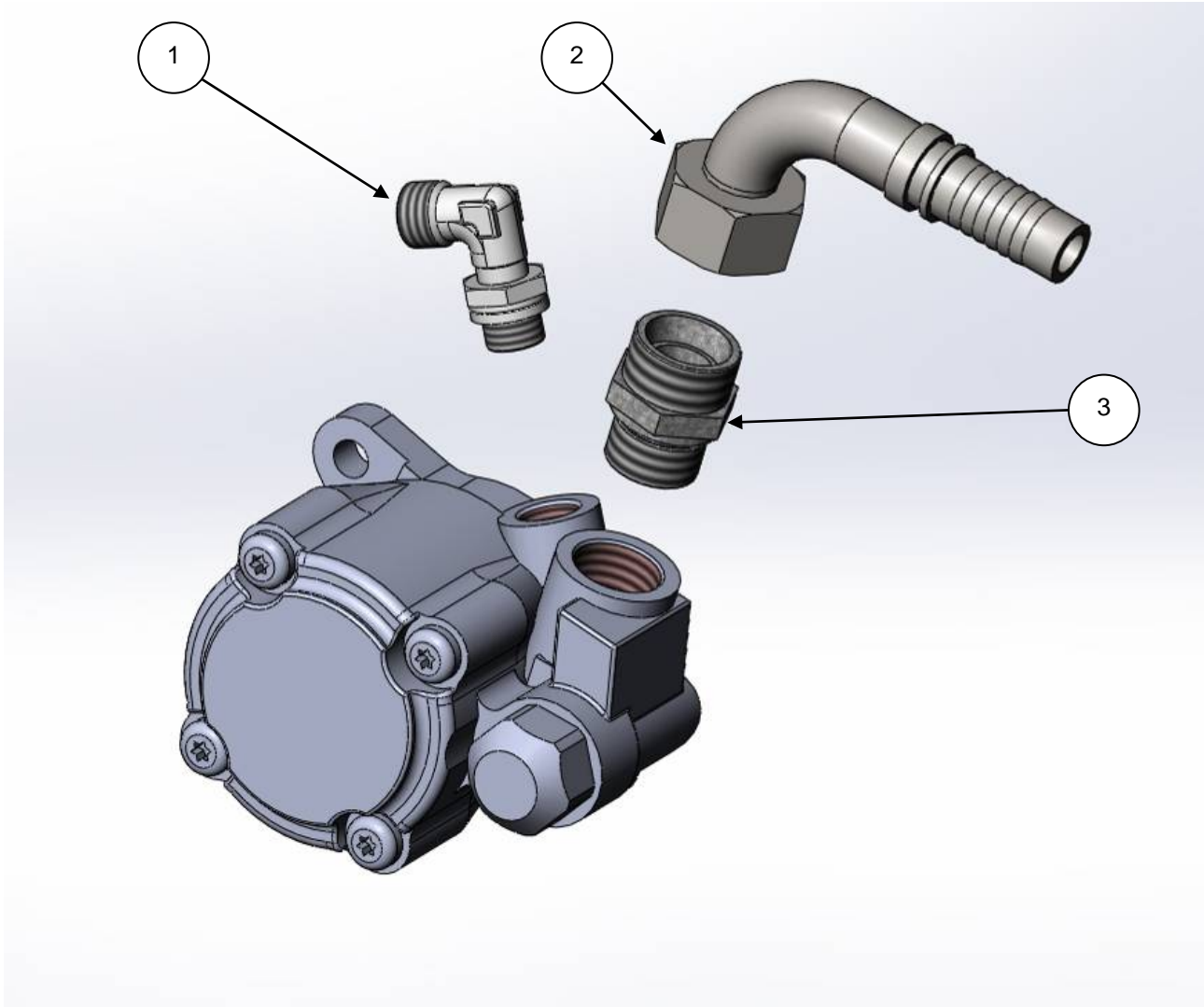
HYDRAULIC PUMP ASSEMBLY



Pos.	Code	Description	QTY
1	901004	HYDRAULIC PUMP	1
2	30.04.25.0009	FLANGE (MOTOR CURSOR 9)	1
	30.04.25.0014	FLANGE (MOTOR CURSOR 11)	1
	30.04.25.0011	FLANGE (MOTOR CURSOR 13)	1
3	30.04.15.0003	OLDHAM COUPLING	1
4	951656	O-RING (MOTOR CURSOR 9)	1
	951658	O-RING (MOTOR CURSOR 11)	1
	951646	O-RING (MOTOR CURSOR 13)	1



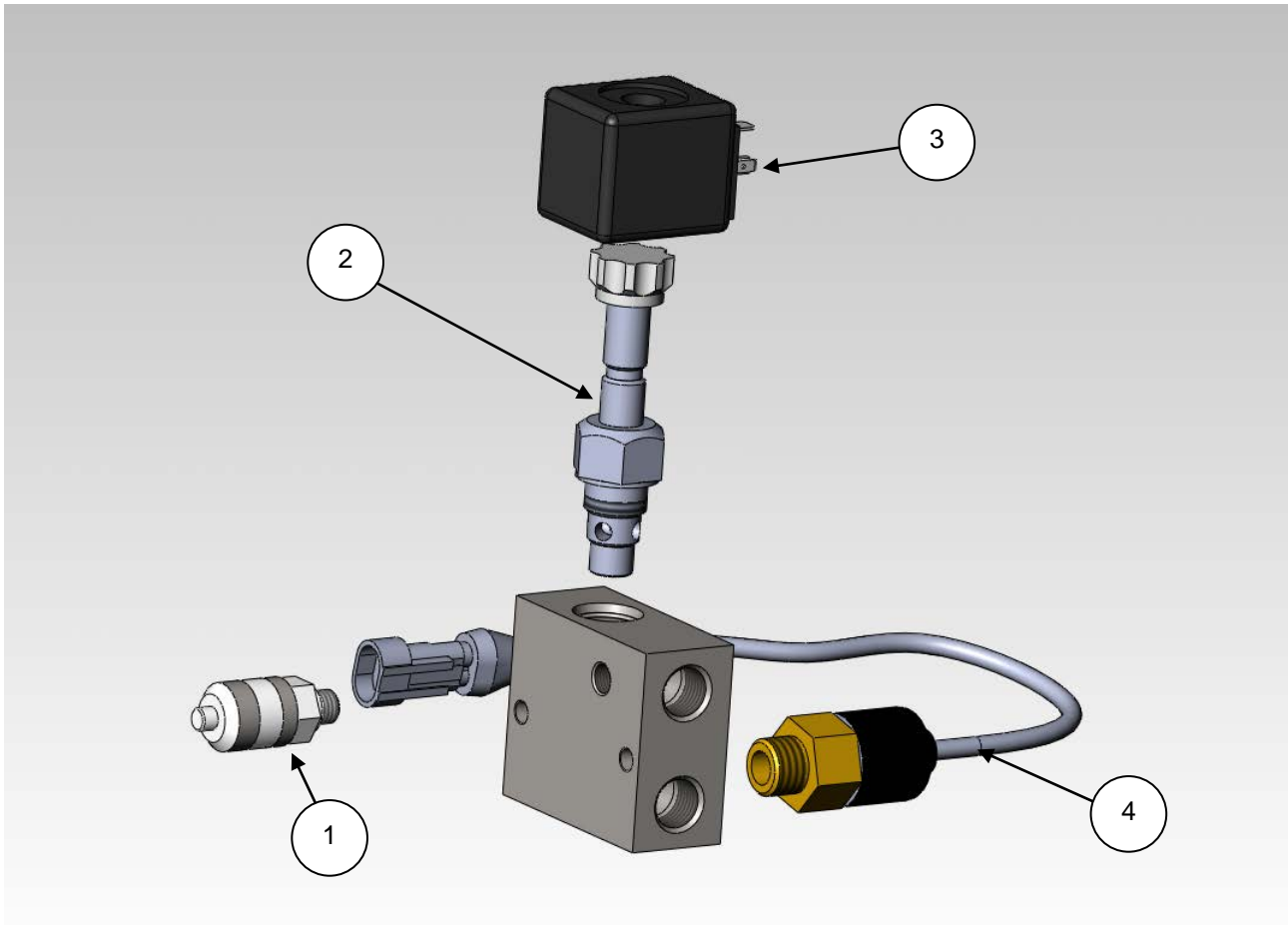
HYDRAULIC FITTINGS FOR HYDRAULIC PUMP



Pos.	Code	Description	QTY
1	05850152	90° ELBOW FITTING M. M16X1,5 - M. M18X1,5	1
2	05850046	90° ELBOW FITTING F. M30X2 - PIPE FITTING T. 3/4"	1
3	05850048	FITTING NIPPLO- M. M26X1,5 WITH SEAL - M. M30X2 - T. 22	1



BY PASS VALVE WITH THERMOSTAT ASSEMBLY

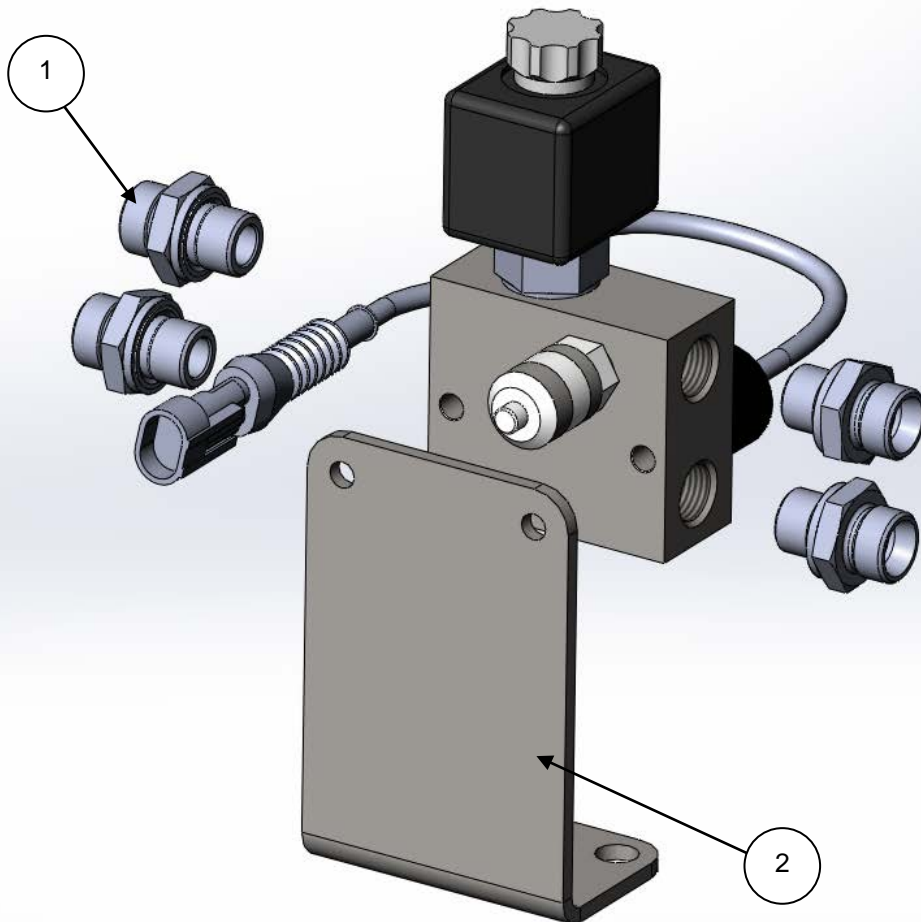


(CODE: 601576)

Pos.	Code	Description	QTY
1	05850990	PRESSURE TAKE-OFF	1
2	901110	BYPASS ELECTRO-VALVE	1
3	901183G	BY PASS SOLENOID	1
4	901585	BIMETALIC TEMPERATURE SWITCH - 90°	1



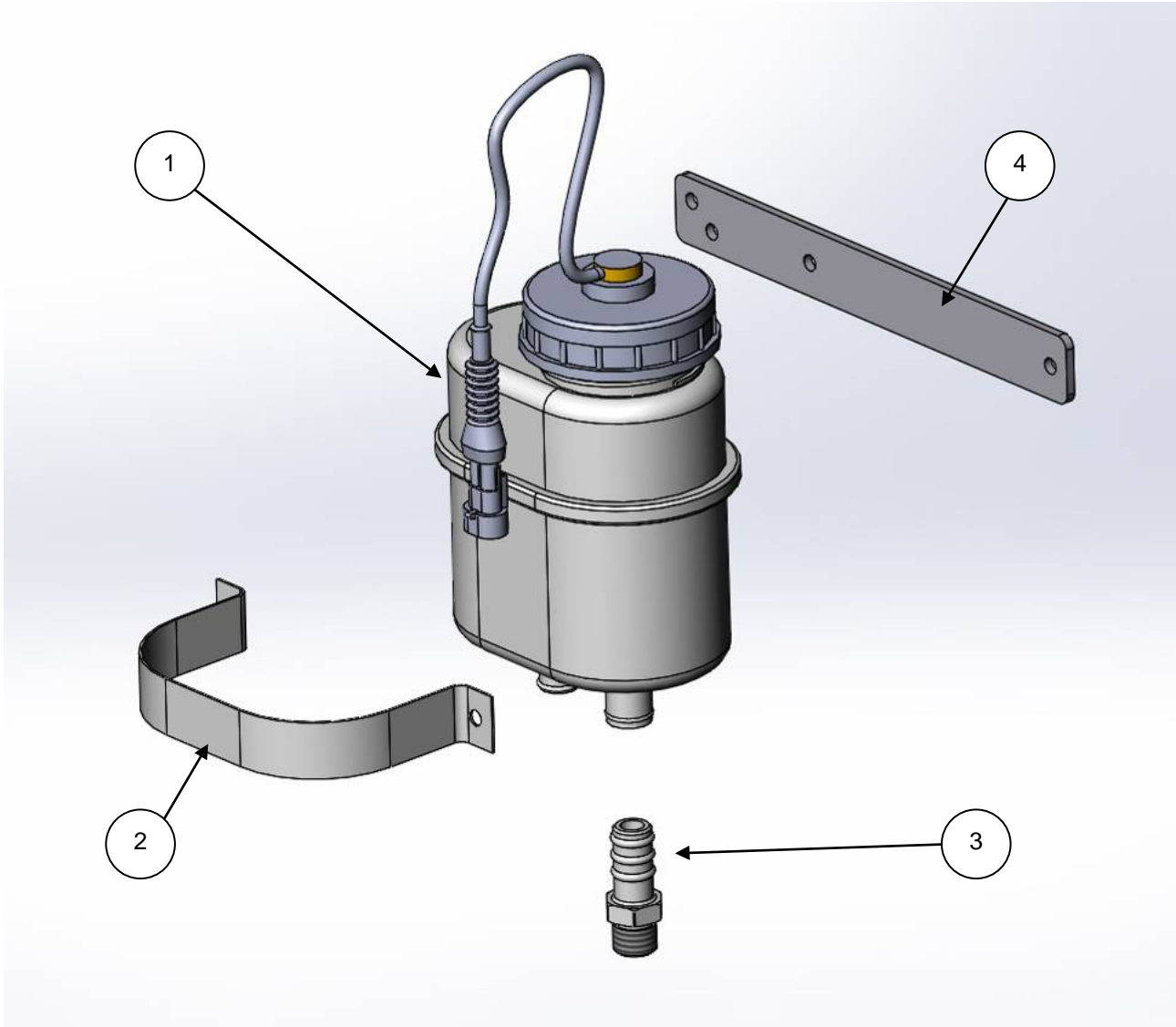
SUPPORT AND HYDRAULIC FITTINGS FOR BY PASS VALVE



Pos.	Code	Description	QTY
1	05850052	FITTING M. M16X1,5 – M. M18X1,5	4
2	45114501	SUPPORT	1



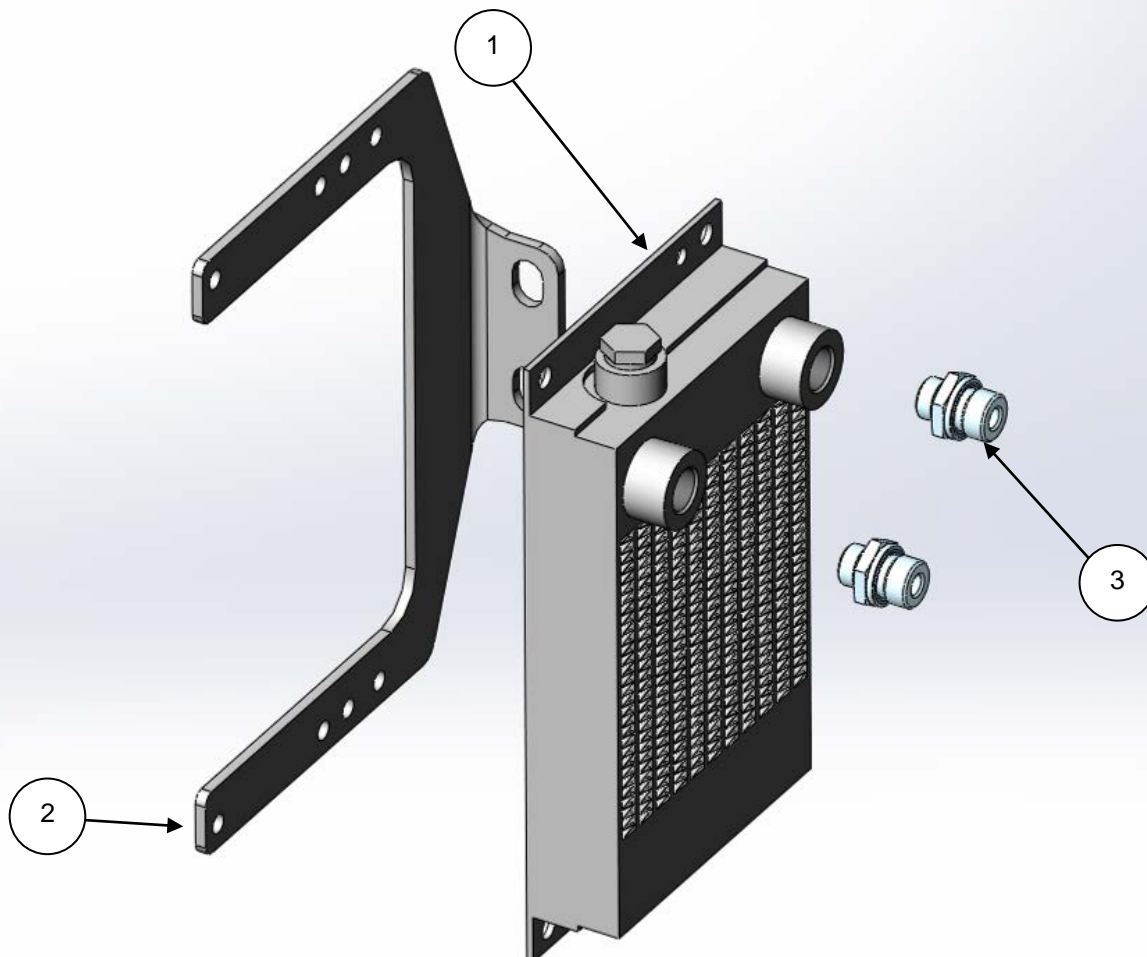
OIL TANK GROUP



Pos.	Code	Description	QTY
1	901193	OIL TANK WITH LEVEL DETECTION	1
2	801185	CLAMP FOR OIL TANK	1
3	05850009	PIPE FITTING Ø16 – M18X1,5	1
4	45111004	OIL TANK SUPPORT	1



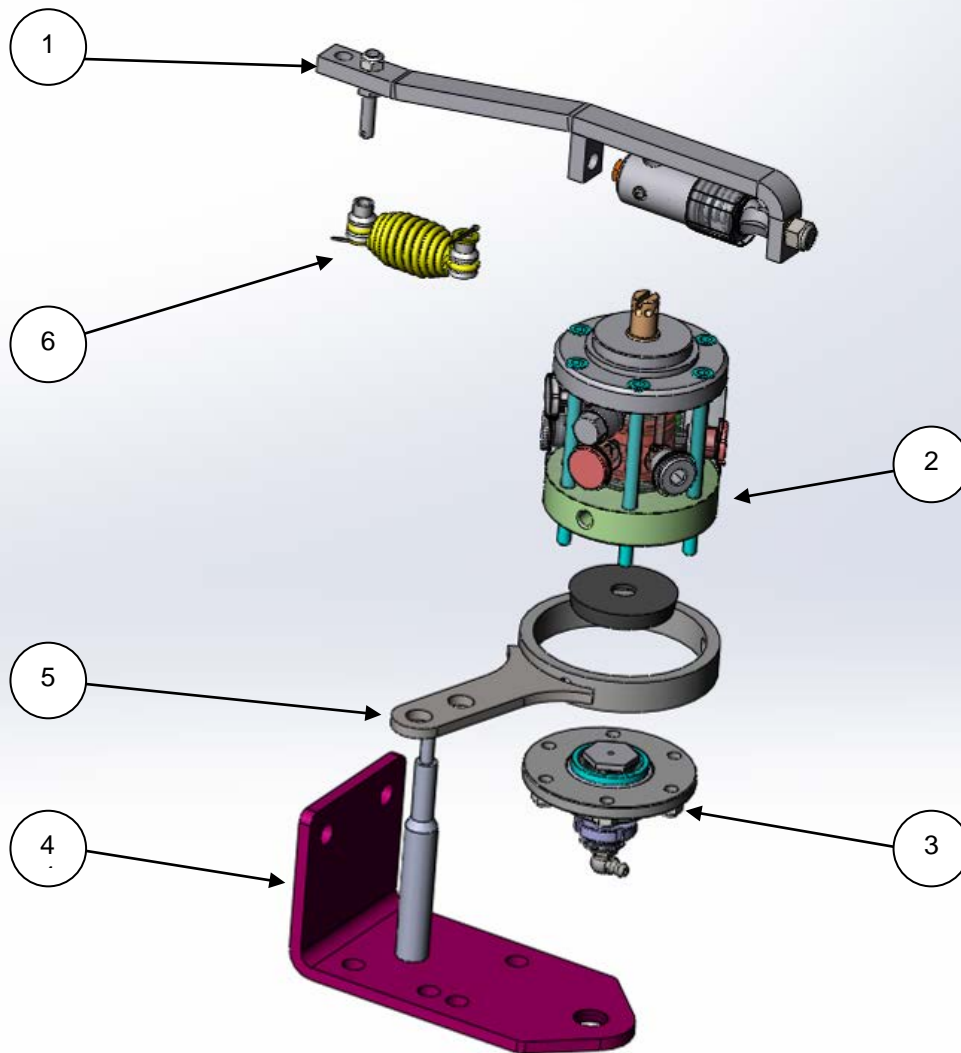
RADIATOR OIL/AIR GROUP



Pos.	Code	Description	QTY
1	05202405	RADIATOR OIL/AIR	1
2	30.17.05.0002	RADIATOR OIL/AIR SUPPORT	1
3	05850055	FITTING R ½" GAS – M. M18X1,5	2



DISTRIBUTOR ASSEMBLY

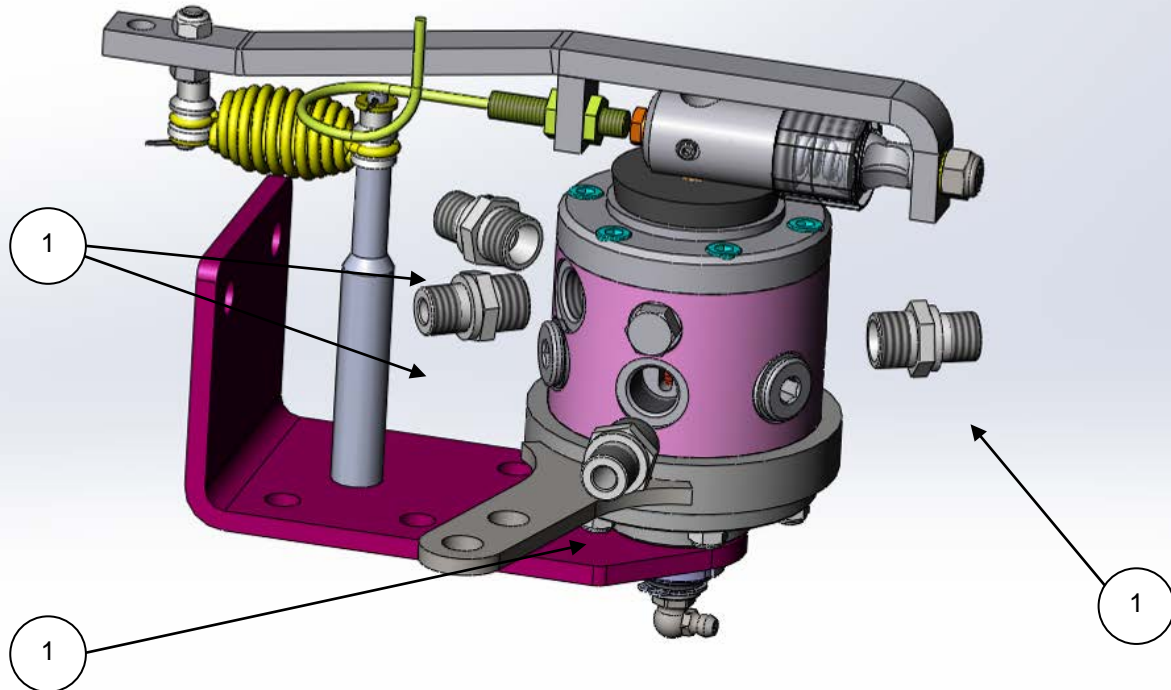


(CODE: 501569C)

Pos.	Code	Description	QTY
1	601087	DISTRIBUTOR LEVER SPRING ASSEMBLY	1
2	601081	DISTRIBUTOR (90 BAR)	1
3	601570	DISTRIBUTOR SUPPORT GROUP	1
4	701568	DISTRIBUTOR ROTATION BOLT SUPPORT	1
5	801611	DISTRIBUTOR LEVER	1
6	701338	DISTRIBUTOR SPRING GROUP	1

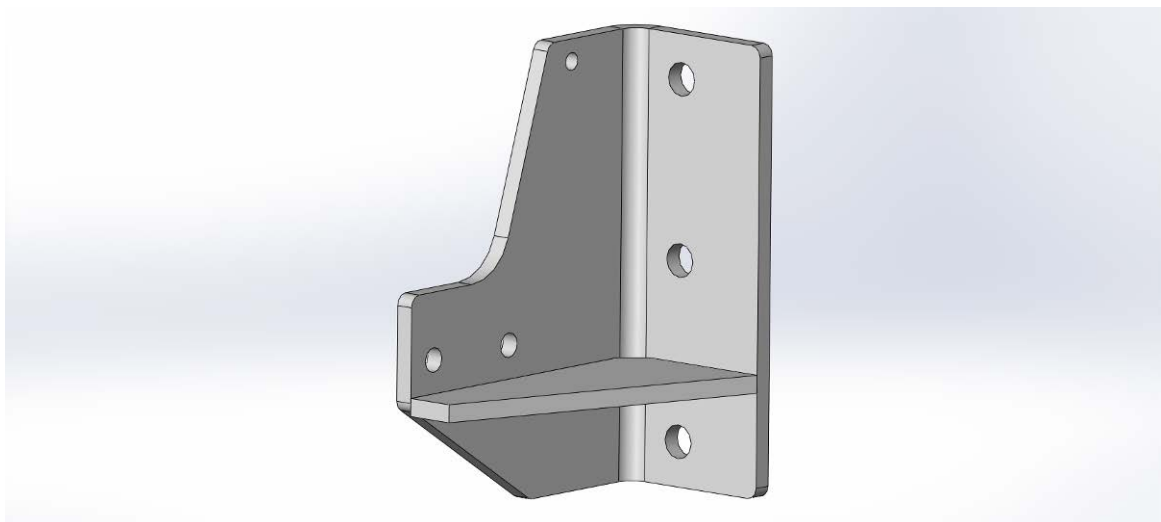


HYDRAULIC FITTINGS FOR DISTRIBUTOR



Pos.	Code	Description	QTY
1	05850050	FITTING M. M14X1,5 – M. M16X1,5	4

DISTRIBUTOR SUPPORT

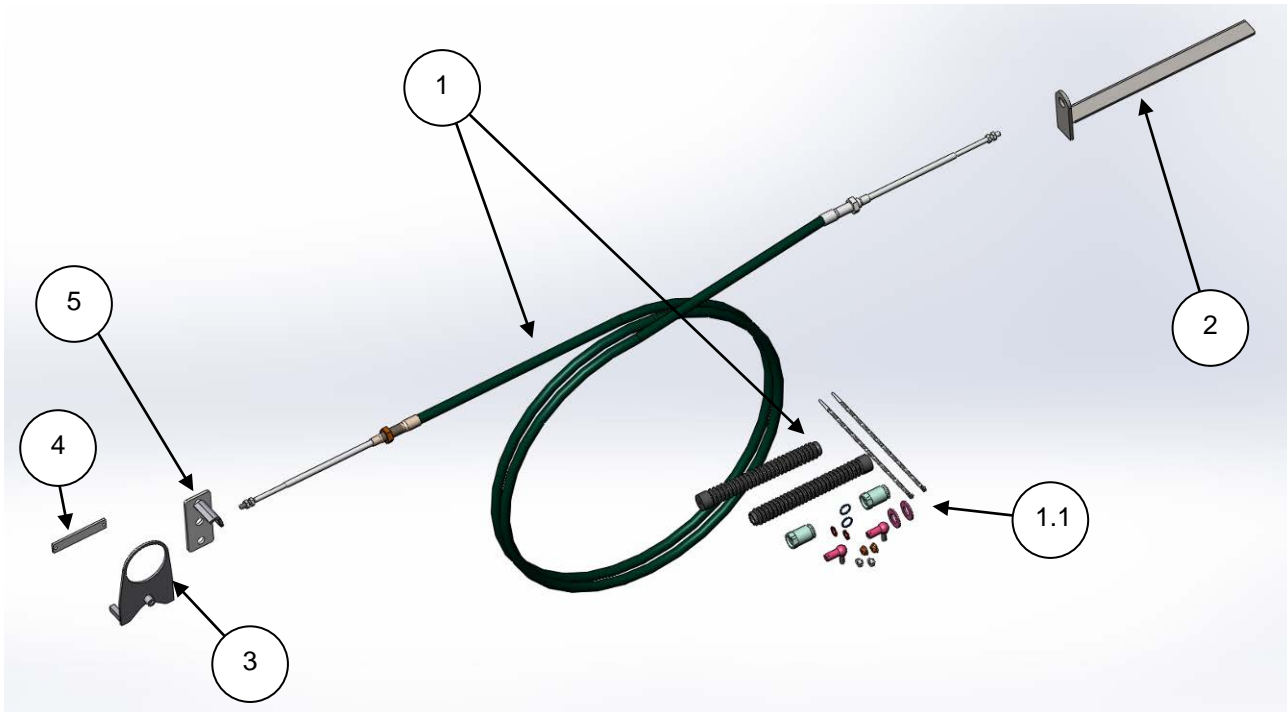


(CODE: 20980012)





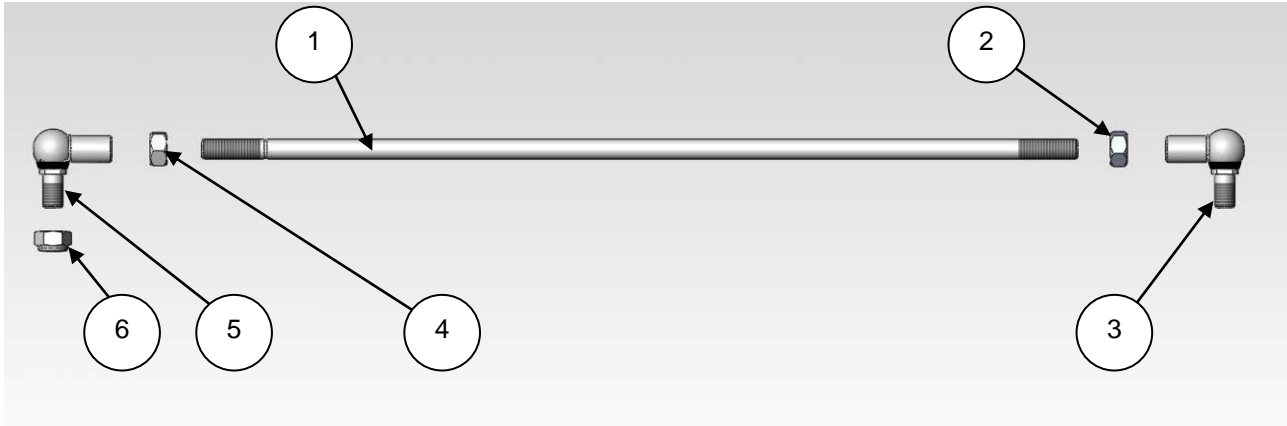
COMMAND CABLE GROUP



Pos.	Code	Description	QTY
1	05225001	COMMAND CABLE L=5000 MM (FOR WB=4200, 4500, 4800 MM)	1
	05225501	COMMAND CABLE L=5500 MM (FOR WB =5100 MM)	
	05226001	COMMAND CABLE L=6000 MM (FOR WB =5700 MM)	
	05226501	COMMAND CABLE L=6500 MM (FOR WB =6050 MM)	
1.1	05220001	RUBBER GAITOR + BALL JOINT KIT	1
2	45219001	REAR CABLE SUPPORT	1
3	45210004	FRONT CABLE DROP ARM SUPPORT	1
4	45210003	FRONT CABLE BALL JOINT SUPPORT	1
5	45210005	FRONT CABLE CHASSIS SUPPORT	1



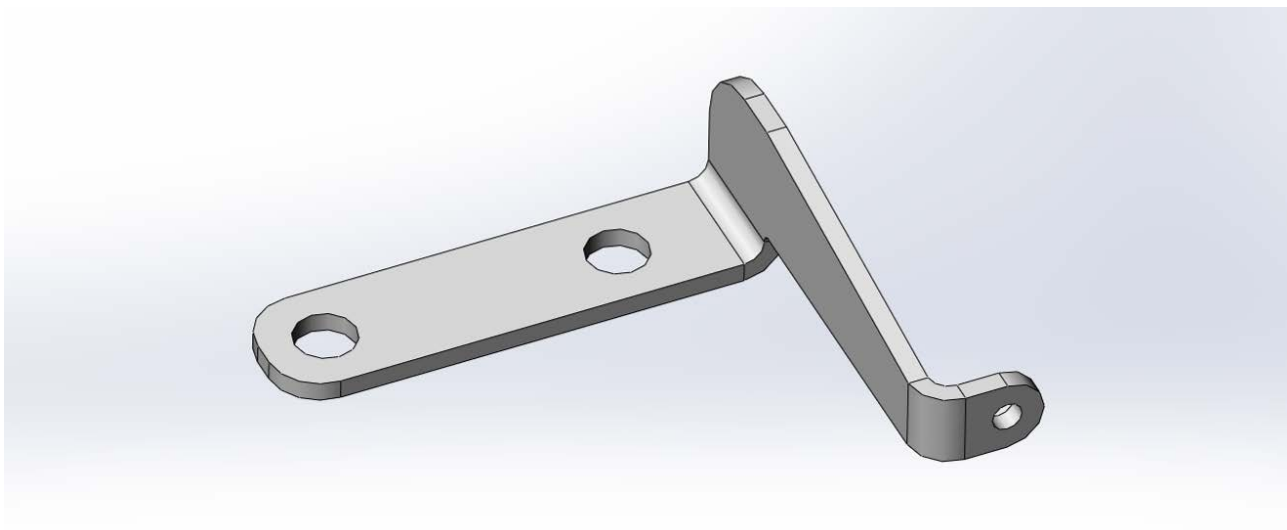
DISTRIBUTOR STEERING ROD GROUP



(CODE: 45250186)

Pos.	Code	Description	QTY
1	45250086	DISTRIBUTOR STEERING ROD	1
2	20220012S000	NUT M12 (LEFT)	1
3	05304018	BALL JOINT LEFT	1
4	202200120000	NUT M12	1
5	05304017	BALL JOINT RIGHT	1

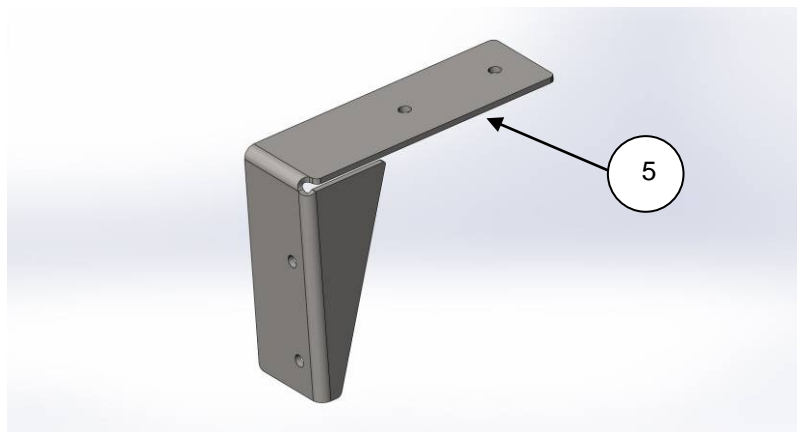
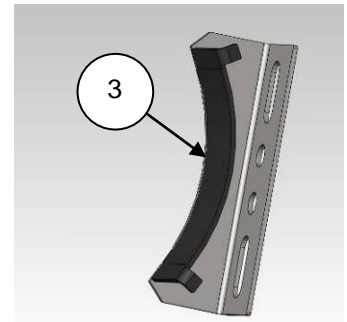
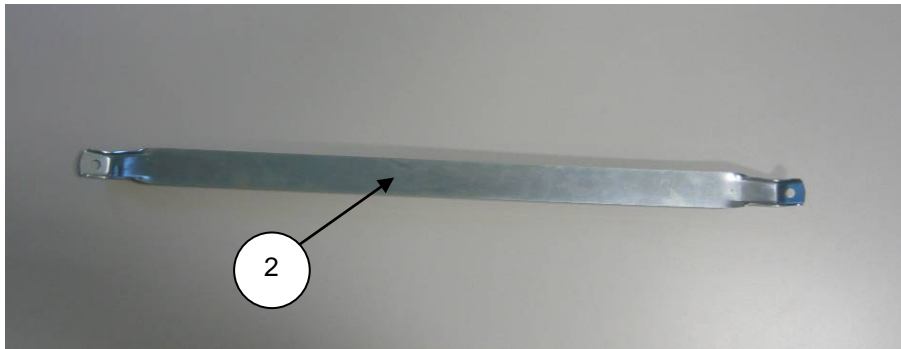
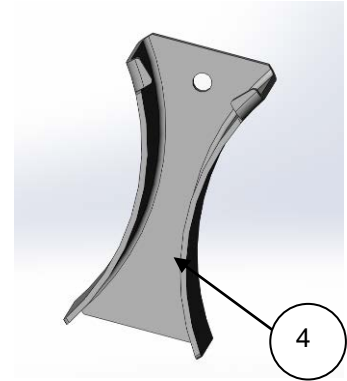
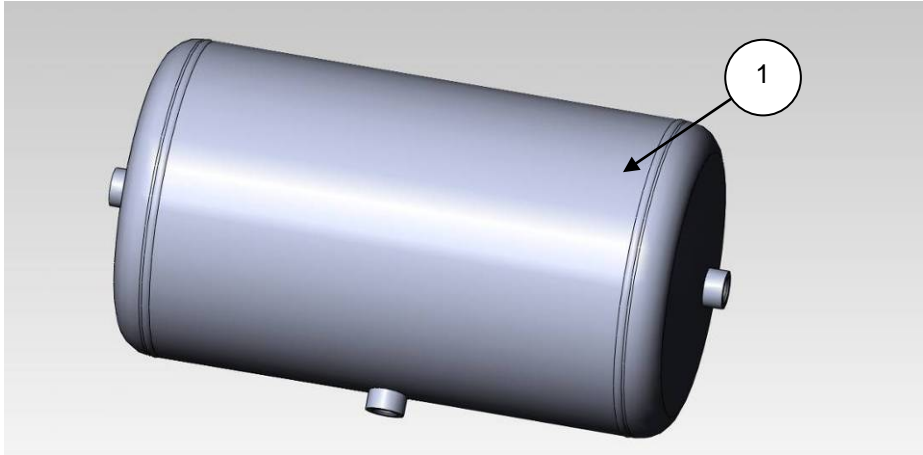
DISTRIBUTOR STEERING ROD SUPPORT



(CODE: 20980013)



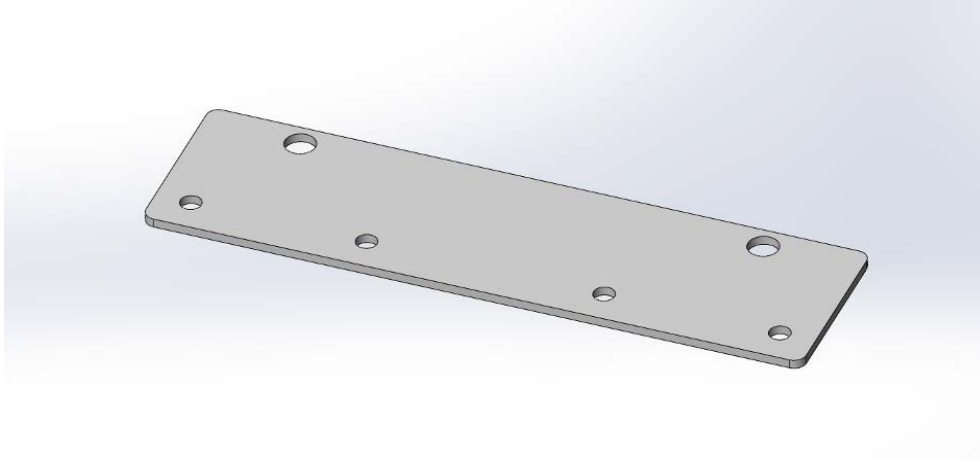
AIR TANKS SUSPENSION GROUP



Pos.	Code	Description	QTY
1	05154012	ALUMINIUM AIR TANK (20 LITERS)	1
2	05154017	AIR TANK FLEXIBLE CLAMP	4
3	25500053	AIR TANK PROFILED SUPPORT FOR NR. 1 TANK	2
4	25500001	AIR TANK PROFILED SUPPORT FOR NR. 2 TANKS	2
5	25.10.05.0015	AIR TANK SUPPORT	2

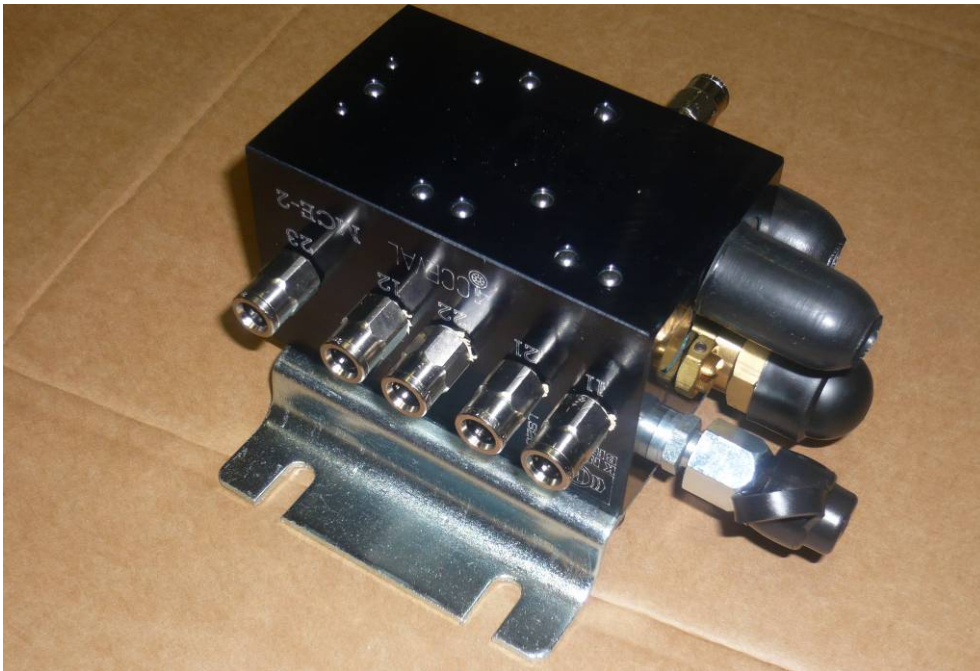


RELAY VALVE SUPPORT



(CODE: 25500025)

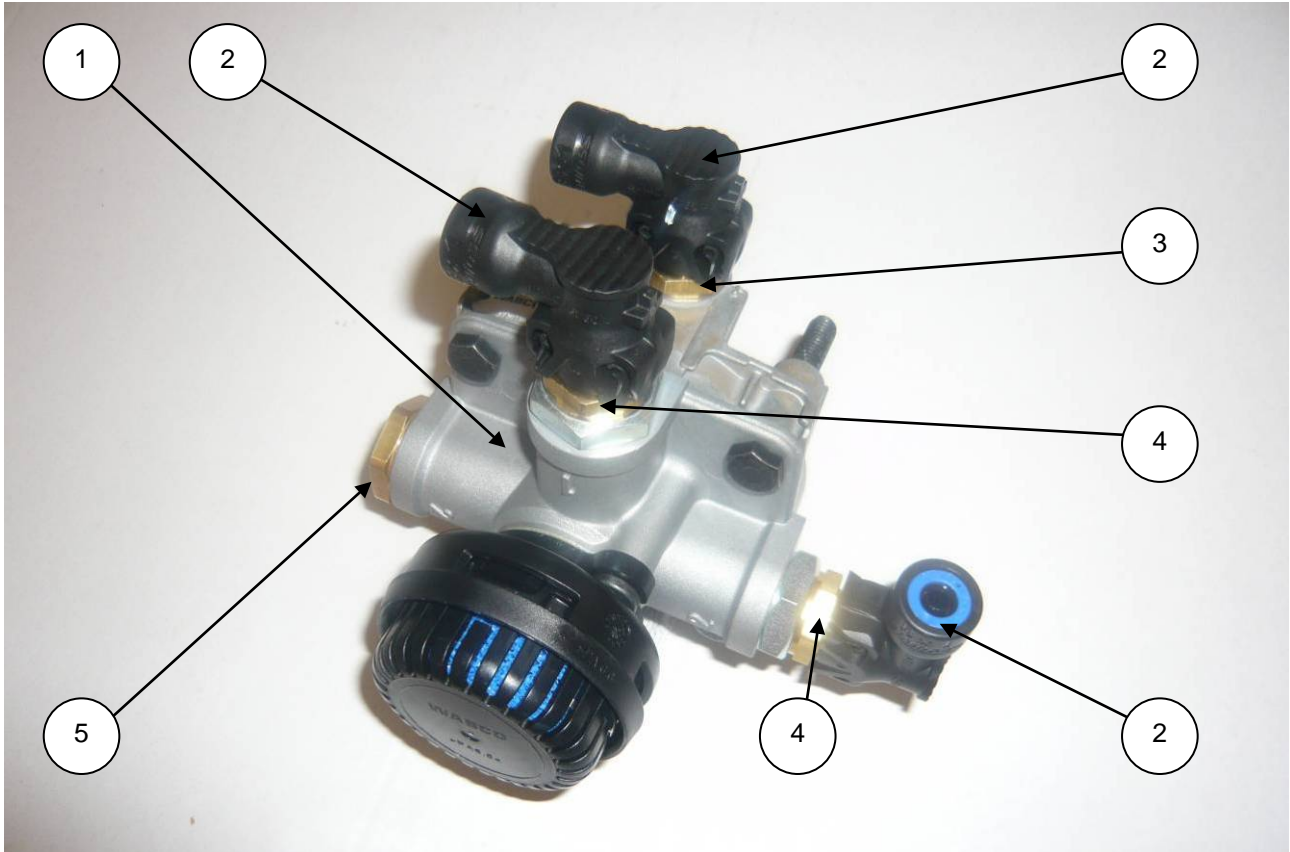
PNEUMATIC VALVE



(CODE: 05156030)



RELAY VALVE GROUP

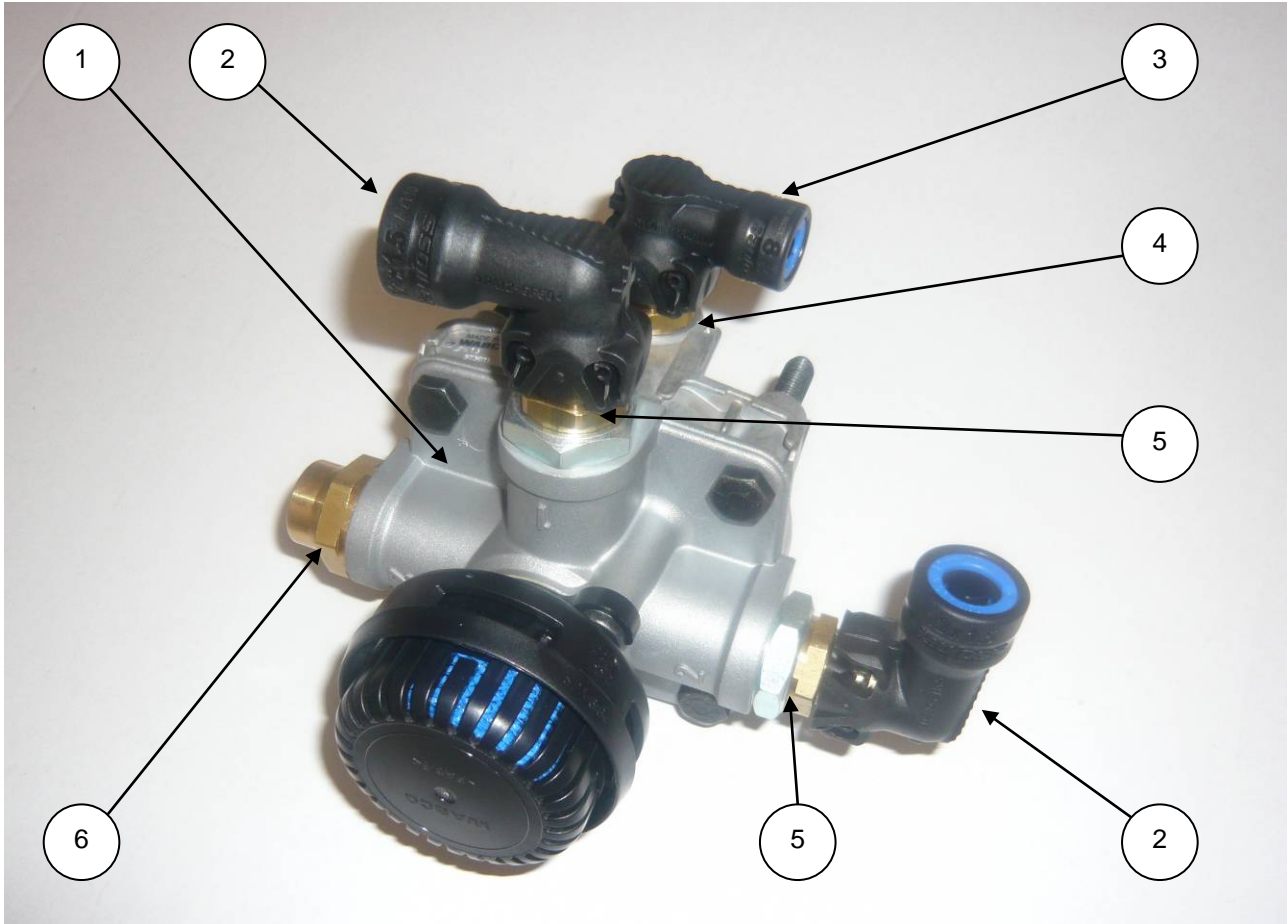


(CODE: 05167501C)

Pos.	Code	Description	QTY
1	05157501	RELAY VALVE	1
2	05810305	INTEGRAL PUSH-IN FITTING T.8	3
3	05810180	SWIVEL FITTING M16X1,5	1
4	05810185	SWIVEL FITTING M22X1,5	2
5	05800615	PLUG M22X1,5	1



RELAY VALVE GROUP



(CODE: 05167501D)

Pos.	Code	Description	QTY
1	05157501	RELAY VALVE	1
2	05810320	INTEGRAL PUSH-IN FITTING T.12X1,5	2
3	05810305	INTEGRAL PUSH-IN FITTING T.8X1,0	1
4	05810180	SWIVEL FITTING M16X1,5	1
5	05810185	SWIVEL FITTING M22X1,5	2
6	05810095	PUSH-IN COUPLING T 12 X 1,5 - M22 X 1,5	1



BRAKE CHAMBER PIPES



Pos.	Code	Description	QTY
1	05154570	PIPE 3/8" L=700 MM	2

BRAKE CHAMBER 12"



(CODE: 05151568)



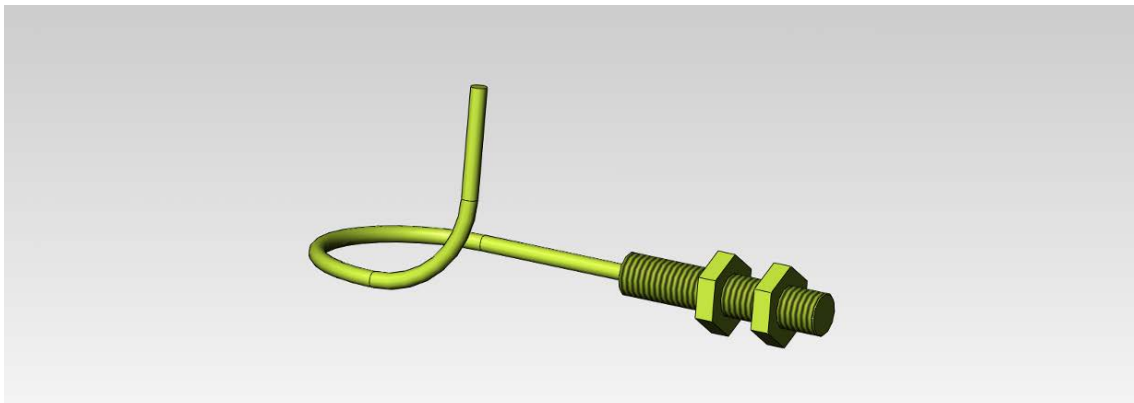


BRAKE CHAMBER 24/14"



(CODE: 05150013)

PROXIMITY SENSOR WITH WIRED CABLE



(CODE: 35951001)



ELECTRICAL SUPPLY CABLE FOR LED



(CODE: 35951002)

ELECTRICAL SUPPLY CABLE FOR LOW OIL LEVEL



(CODE: 35951017)

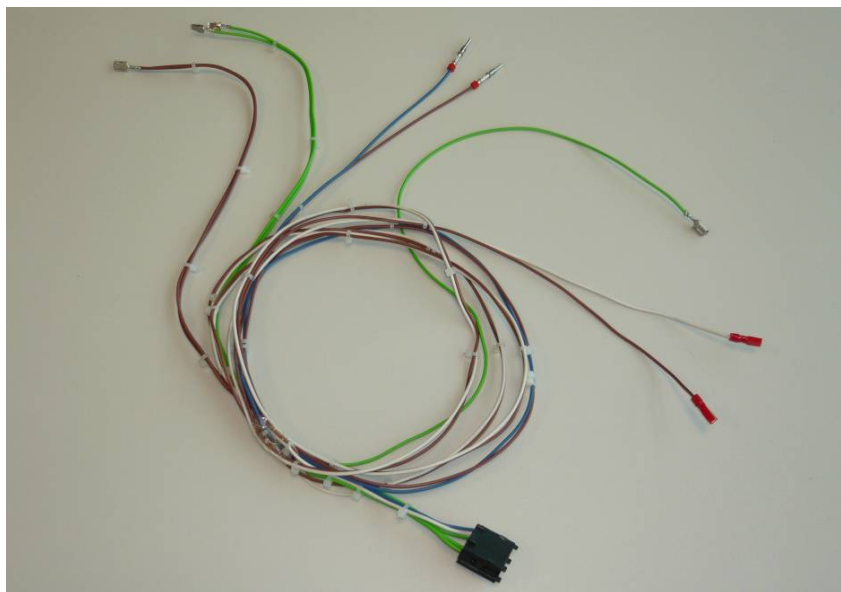


ELECTRICAL SUPPLY CABLE FOR MICRO, BY-PASS, PRESSURE SWITCH AND E.V.



(CODE: 35951018)

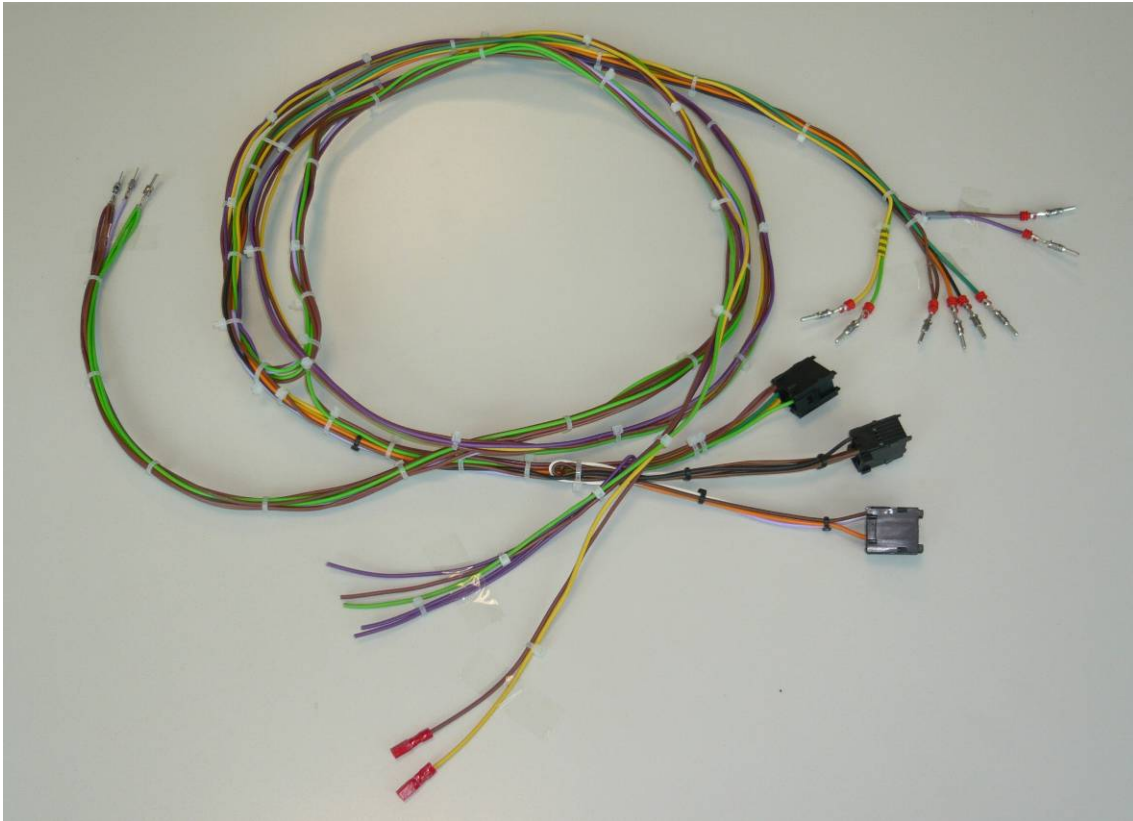
ELECTRICAL SUPPLY CABLE FOR BRAKE WEAR



(CODE: 35.03.05.0061)



ELECTRICAL SUPPLY CABLE FOR STEERING (IN CABIN)



(CODE: 35.03.05.0062)

S.T. SYSTEM TRUCK S.p.A.
Trasformazioni e Soluzioni per Veicoli Industriali

I - 46048 Roverbella (MN) - via Paesa, 28
Tel. +39 0376 696809- Fax +39 0376 176 01 80
P.I. 03117430235 - C.F. 02209770797
e-mail: info@stsystemtruck.com
web: www.stsystemtruck.com



CONTACTS

S.T. System Truck S.p.A.

Via Paesa, 28 – 46048 Roverbella (MN) – Italy

Tel. +39 0376 696809 | Fax +39 0376 1760180

www.stsystemtruck.com

Information:

info@stsystemtruck.com

Export:

export@stsystemtruck.com

Aftersales:

supporto@stsystemtruck.com

Technical:

tecnico@stsystemtruck.com

How to find us:

By car:

Sat Nav coordinates:

45°17'08.2"N+10°47'58.8"E

From Milan → Motorway A4 exit Peschiera del Garda. Take SR249 (passing Salionze, Valeggio sul Mincio) to Roverbella.

From Venice → Motorway A4. At A4/A22 conjunction take direction Modena. Exit A22 Nogarole Rocca. Take SR62 then SP17 to Roverbella.

From Bologna → Motorway A1. At A1/A22 conjunction take direction Verona-Brennero. Exit Nogarole Rocca. Take SR62 then Sp17 to Roverbella.

From Munich (D) → Motorway A22 direction Modena. Exit A22 Nogarole Rocca. Take SR62 then SP17 to Roverbella.

By train:

Trenitalia main lines East-West and North-South directions converge to Verona. Then Mozzecane Station with local line is the nearest station to our facilities.

By plane:

Verona airport Valerio Catullo is the nearest airport to our facility. (20 min. by taxi). Other nearby international airports are: Bergamo Orio al Serio (1,25 hr), Venice Marco Polo (1,25 hr), Bologna Guglielmo Marconi (1,25 hr), Milan Linate (1,5 hr) and Milan Malpensa (2,5 hr).



[CTRL+Click on link to open Google Maps:](#)

<https://goo.gl/maps/SjnymEHJ3cx>