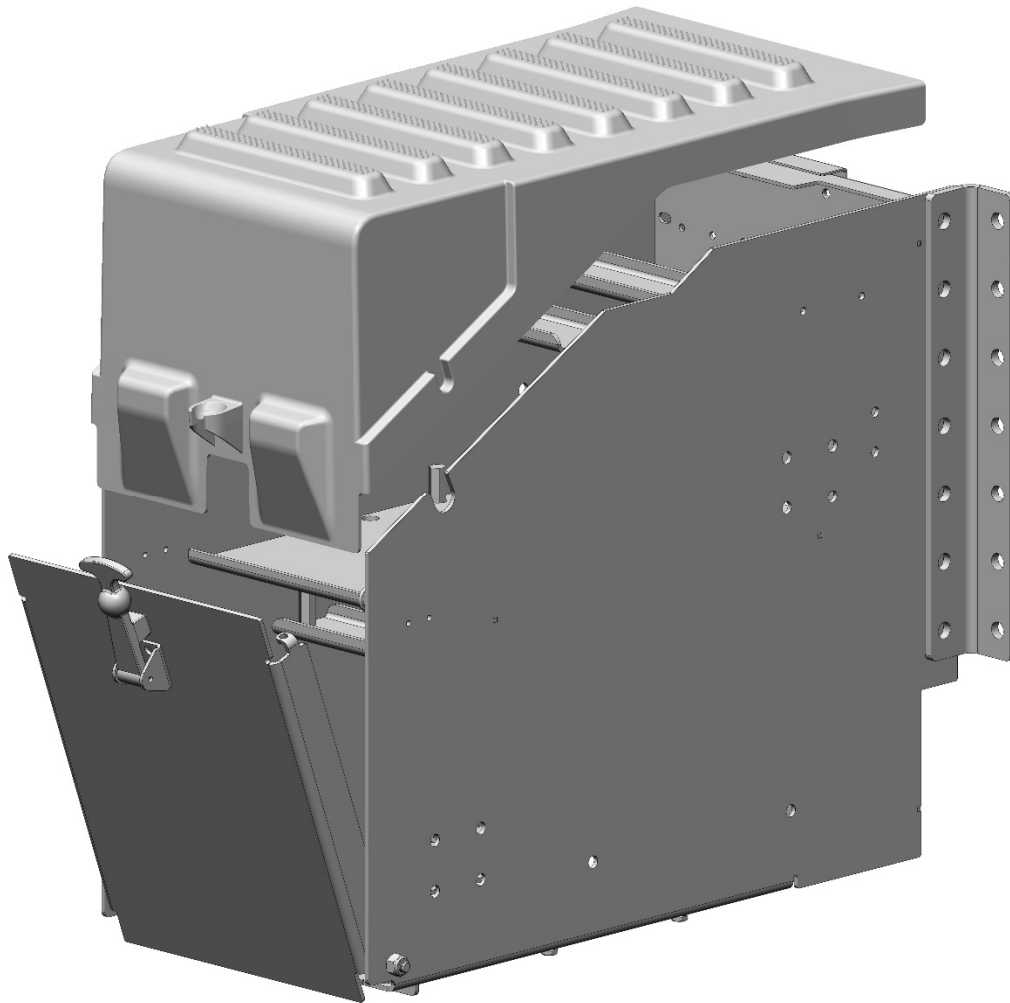


DATA SHEET

VERTICAL (NORTH/SOUTH) BATTERY BOX



DESCRIPTION

The metal vertical battery box weighs ~55kg (without batteries) and has a hardened plastic profiled cover with a rubber handle for closing as the front.

TECNICAL NOTES

Fixation points on the box are available to match all the different hole patterns produced by each chassis manufacturer. The metal units are sandblasted and given a primer coating before being painted in the corresponding colour of the original frame.

For more information please contact us by e-mail at commerciale@st-truck.com or tel. +39 0376 696 809