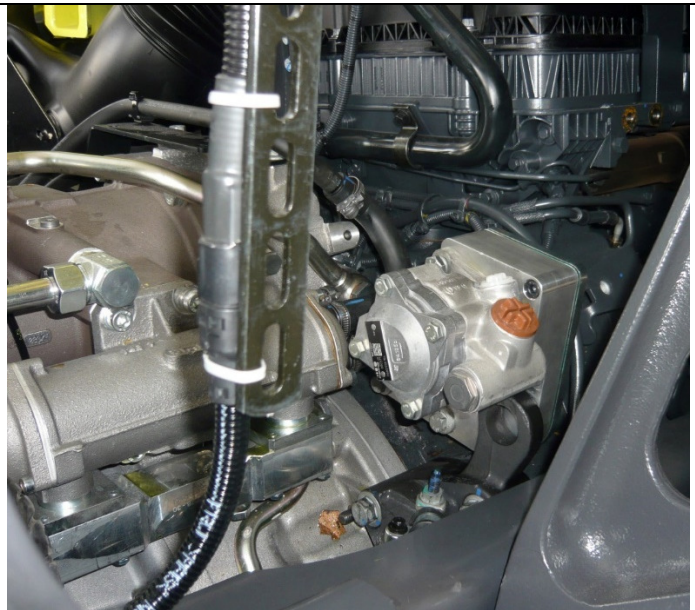
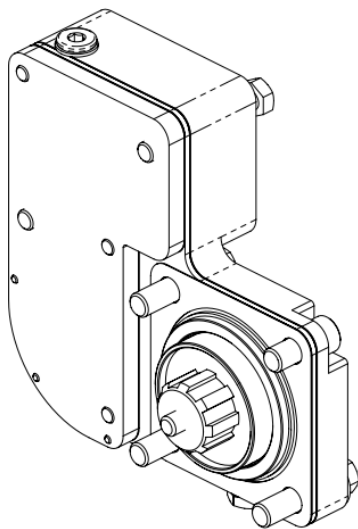
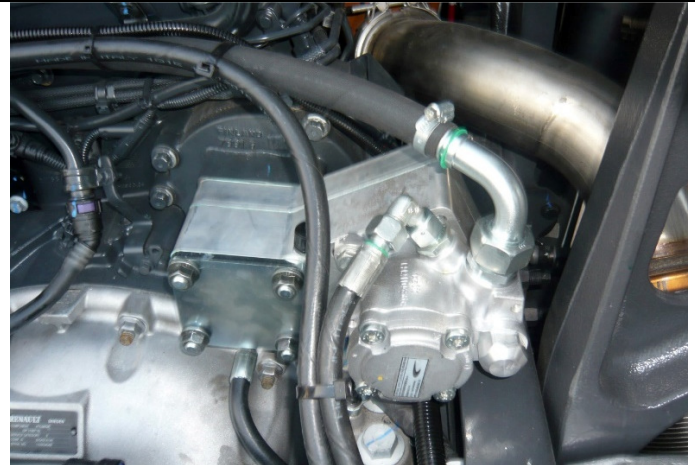
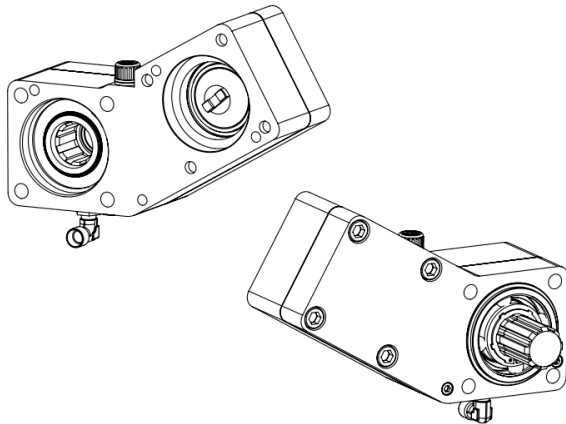


DATA SHEET

RENUALT ENGINE PTO DUEL OUTPUT ADAPTOR & RELOCATING 'L' ADAPTOR HI-PTO FOR 11L & 13L ENGINES



DESCRIPTION

Duel output adaptor: Two outputs for the engine PTO. The primary output maintains the max 1000Nm torque for the bodybuilder while the secondary output, max 50 Nm, facilitates the relocation of the steering pump (or other). A series of flanges are available which can be used with cardan joints.

'L' Adaptor: Facilitates the relocation of an PTO mounted steering pump when a high torque HI-PTO is present.

TECHNICAL NOTES

Available in kits with installation instructions. Installation can be completed by bodybuilder

For further information please contact us by e-mail at commerciale@st-truck.com or tel. +39 0376 696 809